



**"WE MAKE THE KITCHEN BETTER!"**

**ATOSA USA, INC.**

**Toll Free: 855-855-0399 Email: [info@atosausa.com](mailto:info@atosausa.com)**  
[www.atosa.com](http://www.atosa.com) | [www.atosausa.com](http://www.atosausa.com)  
California, Colorado, Florida, Georgia, Illinois,  
New Jersey, Ohio, Texas, Washington

# Food Warmers

## MODELS:

7700 / 7800

## Standard Features

- Stainless steel structure
- Anti-drip well edge
- Lighted on/off switch
- Heat up within 10 minutes
- Adjustable temperature settings
- The 7700 is a warmer and the 7800 is a cooker/warmer

**7700**



**7800**



90 DAYS WARRANTY ON WORKMANSHIP



REV. 08/23



ATOSA USA, INC.

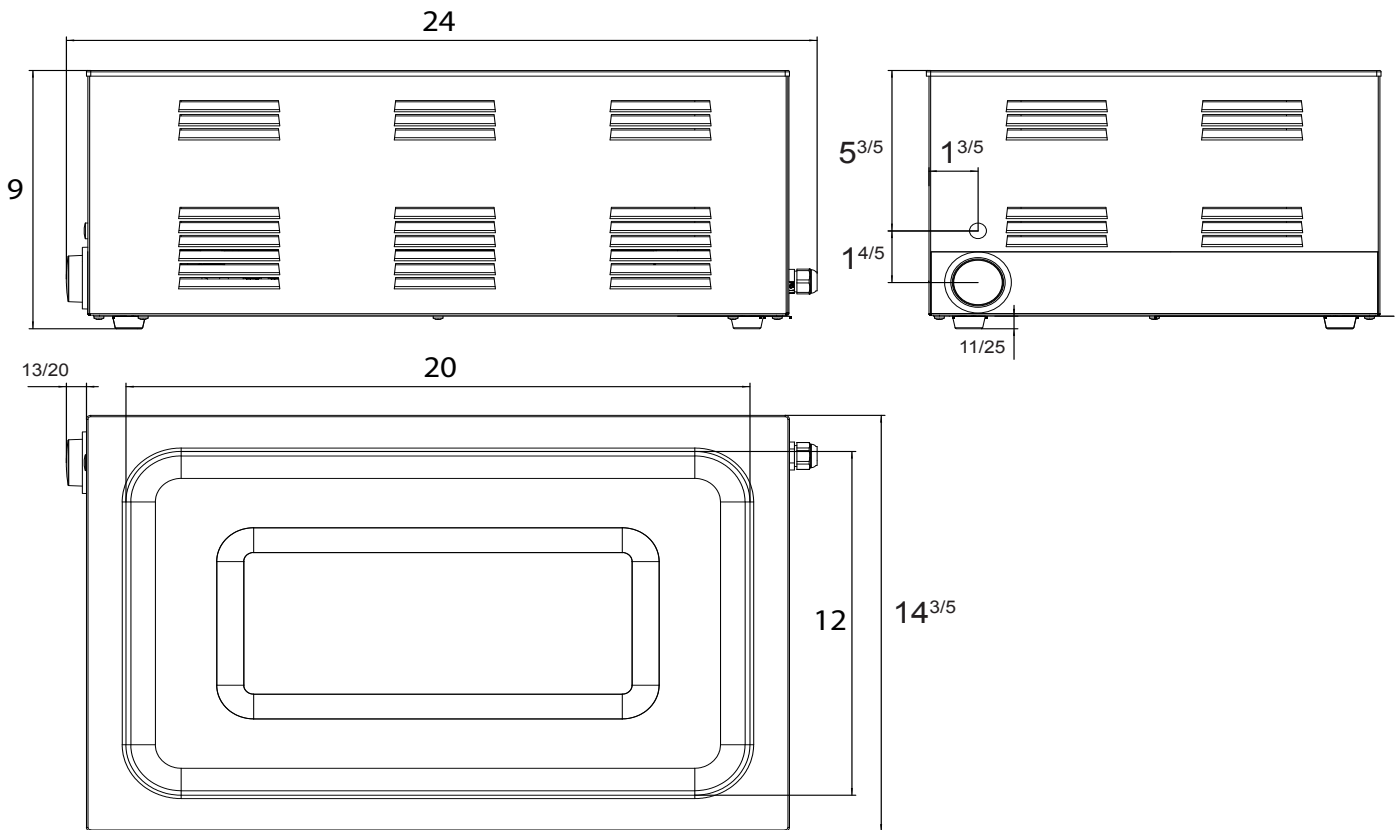
Toll Free: 855-855-0399 Email: [info@atosausa.com](mailto:info@atosausa.com)  
[www.atosa.com](http://www.atosa.com) | [www.atosausa.com](http://www.atosausa.com)  
 California, Colorado, Florida, Georgia, Illinois,  
 New Jersey, Ohio, Texas, Washington

**"WE MAKE THE KITCHEN BETTER!"**

**SPECIFICATIONS**

Model	Control Type	Amps	Hertz	Voltage	Power(W)	Number of Wells	Interior Dimensions (inch)	Exterior Dimensions (inch)	Net Weight (lbs)	Gross Weight (lbs)
7700	Infinite	10	60	120	1200	1	20 × 12 × 6 <sup>1/2</sup>	24 × 14 <sup>3/5</sup> × 9	16.27	18.47
7800	Infinite	10	60	120	1500	1	20 × 12 × 6 <sup>1/2</sup>	24 × 14 <sup>3/5</sup> × 9	16.27	18.47

**PLAN VIEW**



Anti-drip well edge



Power and temperature dial

