



**"TO COOK NICELY!"**  
Toll Free: 855-855-0399 Email: [info@atosausa.com](mailto:info@atosausa.com)  
[www.atosa.com](http://www.atosa.com) | [www.atosausa.com](http://www.atosausa.com)  
California, Colorado, Florida, Georgia, Illinois,  
Massachusetts, New Jersey, Ohio, Texas, Washington

**MODELS:**

**ATTG-24 / ATTG-36 / ATTG-48**

# Thermostatic Griddles

## Standard Features

- Stainless steel exterior & interior
- Stainless steel grease drawer
- Heavy duty 1" thick polished steel griddle plate
- 25,000 BTU burners per 12" section with standby pilots
- Independent thermostatic controls for each 12" section
- Stainless steel legs standard
- 3/4" NPT rear gas connection and regulator standard

**ATTG-24**



**ATTG-36**



**ATTG-48**



1 YR WARRANTY ON ALL PARTS AND LABOR (US ONLY)



Conforms to ANSI  
STD Z83.110-2009 (2011)  
Certified to CSA  
STD 1.8B-2009 (2011)  
Conforms to NSF/ANSI STD 4





**COOK NICELY!"**  
 Toll Free: 855-855-0399 Email: [info@atosausa.com](mailto:info@atosausa.com)  
[www.atosa.com](http://www.atosa.com) | [www.atosausa.com](http://www.atosausa.com)  
 California, Colorado, Florida, Georgia, Illinois,  
 Massachusetts, New Jersey, Ohio, Texas, Washington

## SPECIFICATIONS

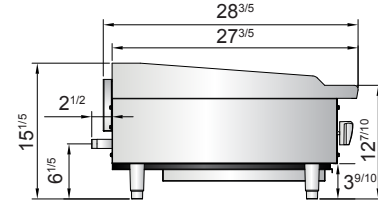
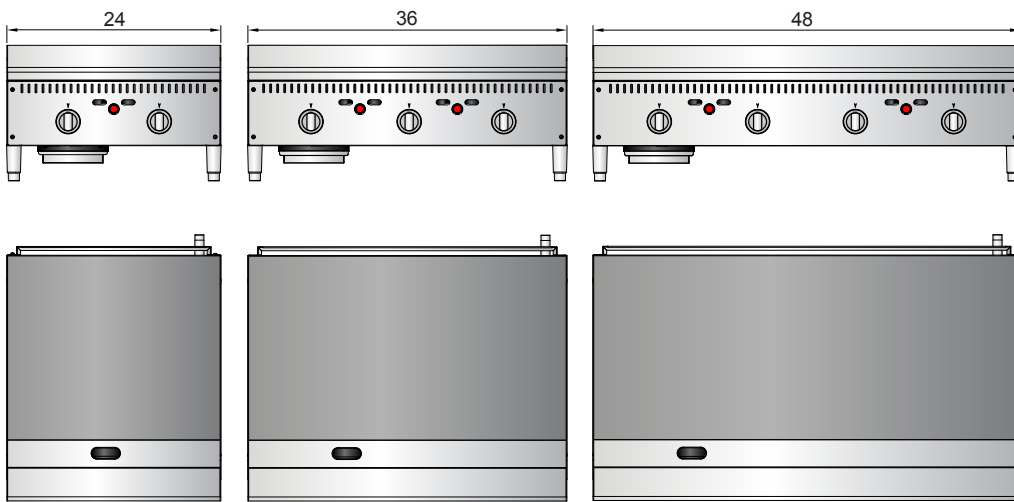
Models	Burners and Control Method	Gas Type	Intake-tube Presssure (in.W.C.)	Per BTU B.T.U./h	Total BTU B.T.U./h	Regulator	Work Area (inch)	Exterior Dimensions (inch)	Net Weight (lbs)	Gross Weight (lbs)
ATTG-24	2 Burners, Independent Manual Control	NG	4	25,000	50,000	4" w.c.	23 <sup>9/10</sup> × 19 <sup>9/10</sup>	24 × 28 <sup>3/5</sup> × 15 <sup>1/5</sup>	161	195
		LP	10	25,000	50,000	10" w.c.				
ATTG-36	3 Burners, Independent Manual Control	NG	4	25,000	75,000	4" w.c.	35 <sup>7/10</sup> × 19 <sup>9/10</sup>	36 × 28 <sup>3/5</sup> × 15 <sup>1/5</sup>	229	281
		LP	10	25,000	75,000	10" w.c.				
ATTG-48	4 Burners, Independent Manual Control	NG	4	25,000	100,000	4" w.c.	47 <sup>9/10</sup> × 19 <sup>9/10</sup>	48 × 28 <sup>3/5</sup> × 15 <sup>1/5</sup>	295	415
		LP	10	25,000	100,000	10" w.c.				

## PLAN VIEW

**ATTG-24**

**ATTG-36**

**ATTG-48**



Stainless steel knobs

Dripping hole

Dripping pan

Stainless steel legs

