



"MAKE THIS STEEL RITE!"

British Columbia
 Tel: 604-339-7188
 Email: west@atosaca.com

Ontario
 Tel: 289-668-5150
 Email: east@atosaca.com

18" Stainless Steel Hand Sink

MODELS:

MRS-HS-18(W)

Standard Features

- 18 Gauge, 300 series stainless steel
- 6" Backsplash with 2" return
- Goose neck faucet with wrist blade handles included
- 1-1/2" drain opening
- 1-1/8" faucet holes on 4" centers
- 1-1/2" waste drain opening
- Strainer and faucet included
- Z-clip mounting bracket
- Easy to clean and sanitize

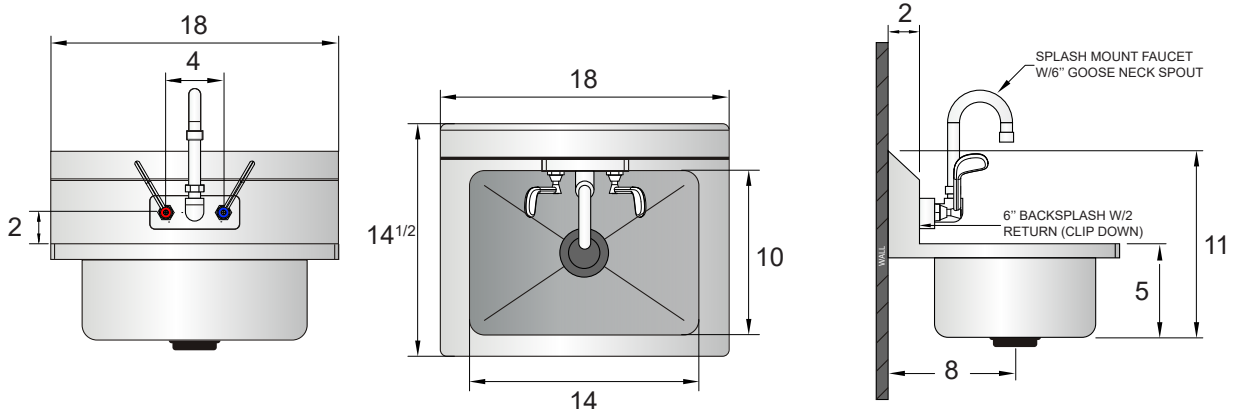


Optional Accessories

- Side splashes. Item#: MRS-HS-18SP

Model	Ga.	Bowl Size(mm)	Exterior Dimensions(mm)	Net Weight(kg)
MRS-HS-18(W)	18	14 × 10 × 5	18 × 14 ^{1/2} × 11	13

PLAN VIEW



90 DAYS WARRANTY ON WORKMANSHIP

Atosa International
www.atosa.com

Atosa USA
www.atosausa.com

Atosa is continuously improving products. Specifications are subject to change without notice. 156

