



**"WE MAKE THE KITCHEN BETTER!"**

Toll Free: 855-855-0399 Email: [info@atosausa.com](mailto:info@atosausa.com)  
[www.atosa.com](http://www.atosa.com) | [www.atosausa.com](http://www.atosausa.com)  
 California, Colorado, Florida, Georgia, Illinois,  
 Massachusetts, New Jersey, Ohio, Texas, Washington

# Angle Curved Glass Top Chest Freezers

## Standard Features

- Atosa Glass Lid Curved Top Freezer MMF9110 and MMF9113 are uniquely designed with high value for perfect storage of ice cream and all types of frozen merchandise and seasonal specialties
- Good energy efficiency system with environmentally friendly R290 refrigerant
- High quality refrigeration system that maintains chamber temperature at -10°F to -1°F for best in ice cream and all types of frozen merchandise preservation.
- Chamber temperature display on front shows chamber cooling and food storage status
- Bright LED interior light provide more even lighting throughout the cabinet
- Standard accessory food baskets fully loaded , 3 baskets for MMF9110, 4 baskets for MMF9113
- Cabinet temperature can be adjusted by thermostat easily
- Unit completely pr-wired at factory and ready to connection of power 115/60/1 phase, Cord and plug NEMA-5-15 included
- ETL safety and ETL Sanitation conforms to NSF-7 standard approval for store or display of packaged and bottled products
- 3" good insulation by foamed-in-place high density polyurethane cell insulation
- Door lock standard feature provides security in field.
- Convenient defrost drain for easy cleaning

### MODELS:

MMF9110 / MMF9113



**MMF9110**



**MMF9113**

For the best results of food preservation we recommend setting your freezer between -10 °F to -1 °F

1. Don't forget to leave the unit some room to breathe!
2. Please clean the condenser frequently to give the unit more fresh air.



1 YEAR PARTS AND LABOR WARRANTY (US ONLY)  
 5 YEAR COMPRESSOR PART WARRANTY (US ONLY)





**WE MAKE THE KITCHEN BETTER!**

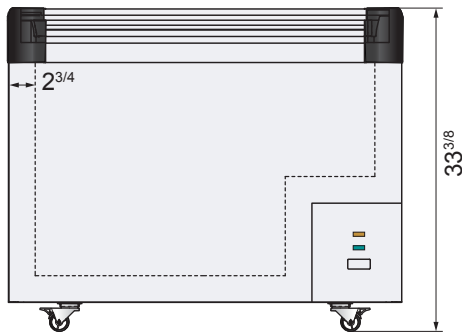
Toll Free: 855-855-0399 Email: [info@atosausa.com](mailto:info@atosausa.com)  
[www.atosa.com](http://www.atosa.com) | [www.atosausa.com](http://www.atosausa.com)  
 California, Colorado, Florida, Georgia, Illinois,  
 Massachusetts, New Jersey, Ohio, Texas, Washington

## SPECIFICATIONS

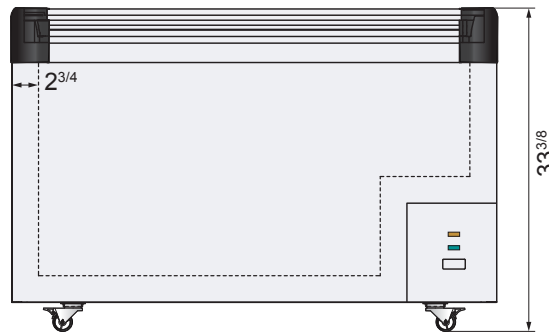
Models	Door	Baskets	Capacity (Cu.Ft.)	Casters (inch)	Amps (A)	Voltage (V/Hz/Ph)	Refrigerant	Exterior Dimensions (inch)	Net Weight (lbs)	Gross Weight (lbs)
MMF9110	2	3	9.6	2	1.6	115/60/1	R290	40 <sup>3/4</sup> ×26 <sup>3/4</sup> ×33 <sup>3/8</sup>	126	132
MMF9113	2	4	12.5	2	1.6	115/60/1	R290	50 <sup>1/8</sup> ×26 <sup>3/4</sup> ×33 <sup>3/8</sup>	145	150

## PLAN VIEW

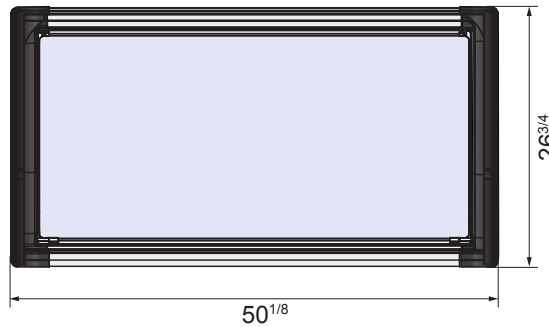
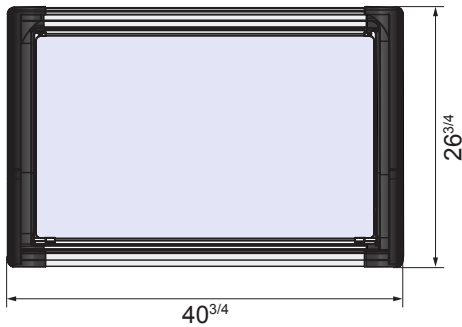
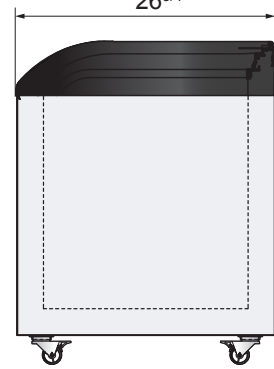
**MMF9110**



**MMF9113**



26<sup>3/4</sup>



**NEMA 5-15P**



NEMA  
15A/125V