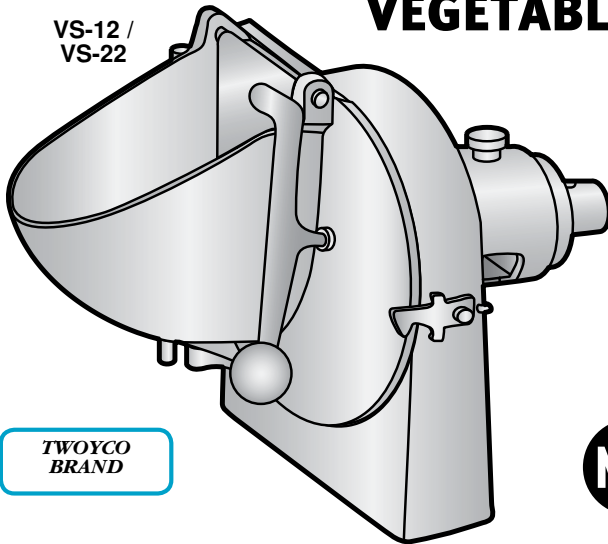


GRATER-SHREDDER DISKS FOR THE GS-12/22 (WITH TYPICAL APPLICATIONS)

	Coarse	Medium	Medium	Medium	Medium	Fine	Extra Fine	H. Cheese
GERMAN DISKS	KD-1/2	KD-5/16	KD-1/4	KD-3/16	KD-5/32	KD-3/32	KD-5/64	KD-GD
TAIWANESE DISKS	VS-12SD-1/2	VS-12SD-5/16	VS-12SD-1/4	VS-12SD-3/16	N/A	VS-12SD-3/32	VS-12SD-5/64	VS-12GD
Food Product Type:	Recommended Product Types for Each Hole Size:							
Cole Slaw	●	●						
Hash Browns	●	●						
Bread Crumbs		●	●					●
Hard Vegetables	●	●	●					●
Soft Cheeses		●	●					
Pizza Cheeses			●	●	●			
Carrots for Coloring			●	●	●	●	●	
Taco Cheeses						●	●	
Hard Cheese								●
Spices							●	●
Nuts			●	●	●	●	●	●

VEGETABLE-SLICER POWER ATTACHMENT

VS-12 / VS-22



Alfa's Vegetable Slicer unit the VS-12 is precision machined out of polished aluminum and supplied to many major OEMs. The stainless steel, one-piece "S" knife is finely honed for sharp, clean cuts. The VS-12KDS (Knife Disc Assembly) features an adjusting knob for easy thickness calibration & cleaning. Our unit is designed for easy disassembly and equipped with a hopper door "safety latch". Each VS-12 suitable for use on compatible # 12 & # 22 size hub Mixers, Meat Choppers/Grinders, Food Cutters & Power Drives.

NOTE: Our GS-12 & VS-12 Attachments also fit Hobart LEGACY Model Mixers.

WARRANTY: 6 Months

ALFA #	REPLACES HOBART #	DESCRIPTION	WEIGHT
VS-12	VS9	#12 Complete Vegetable Slicer Attachment (9/16 Square Hub) Complete with VS-12KDS Adjustable Knife Assembly	23 lbs.
VS-888	VS-9 BUILDUP	Set of #12 Door, Housing and Pusher Plate only	16 lbs.
VS-22	VS9-22	#22 Complete Vegetable Slicer Attachment (3/4" Square Hub)	23 lbs.
VS-12K	79725	S/S "S" Knife only w/o Pin for ALFA VS-12KDS only - not for Hobart	1 lb.
VS-12KDS	ML-16223-Z	#12 Knife Assembly Complete with Adjusting Knob and "S" Knife	6 lbs.
VS-22KDS	294938-4	#22 Knife Assembly Complete with Adjusting Knob and "S" Knife	6 lbs.
VS-99H	83486-1	#12 Back Housing with Brass Bushing and Safety Latch	9 lbs.
VS-22H	24634-1	#22 Back Housing with Brass Bushing and Safety Latch	9 lbs.
VS-99P	69316	Pusher/Feed Plate with Adjustable Stop	2 lbs.
VS-99D	295669	Door/Hopper with Mounting Pins	4 lbs.
P-1005	N/A	Door Latch for VS-99H/VS-22H (With adjusting Set Screw)	0.1 lb.
P-1008	N/A	Size 12 Back Mounting Hub	1 lb.
P-1008-22	N/A	Size 22 Back Mounting Hub	1 lb.