



Outperform every day.™

Project:

Item Number:

Quantity:

20 AND 26 INCH CHEESE MELTERS (MODELS JW1, JW2)



JW1



JW2

ITEMS

Item No.	Model No.	Description
CM2-12020	JW1	20" Cheese Melter, 120V
CM2-12026	JW2	26" Cheese Melter, 120V

FEATURES

- Stainless steel construction.
- CM2-12020 has 13" (33 cm) opening.
- CM2-12026 has 20¼" (51.4 cm) opening.
- Energy efficient, fast reacting quartz heaters.
- 15-minute timer.
- Standby mode saves 75% during off-peak times.
- 5 shelf positions.
- 120V, plug in nearly anywhere.
- 5 ft. (1.5 m) cord with plug.
- Made in the USA.

WARRANTY

- Warrantied parts: The warranty period is 2 year parts, 1 year labor.
- Heater tubes: The warranty period is 1 year, including labor when performed at an authorized service center. Heater tube glass damage is not covered by this warranty.
- For full warranty details, please refer to www.Vollrath.com.

DESCRIPTION

Vollrath's 20 and 26 Inch Cheese Melters are ideal for melting cheese on nachos, cheese fries or soup; finishing potato skins and garlic bread; or warming plates. The compact cheese melters are well-suited for medium-volume food service operations. They are not intended for continuous use.

CLEARANCE AND ENVIRONMENT REQUIREMENTS

- Do not place on surfaces or near walls, partitions or kitchen furniture unless they are made of non-combustible material or clad with non-combustible heat-insulating material. Cheese melters must not be used near or below curtains and other combustible materials.
- Allow a minimum of 8" (20.3 cm) of clearance on the left and right sides of the cheese melter.
- Maximum ambient temperature: 104° F (40 ° C).

Agency Listings



Due to continued product improvement, please consult www.vollrath.com for current product specifications.

Approvals	Date



Outperform every day.™

www.vollrath.com

The Vollrath Company, L.L.C.
 1236 North 18th Street
 Sheboygan, WI 53081-3201 U.S.A.
 Main Tel: 800.624.2051 or 920.457.4851
 Main Fax: 800.752.5620 or 920.459.6573
 Customer Service: 800.628.0830
 Canada Customer Service: 800.695.8560

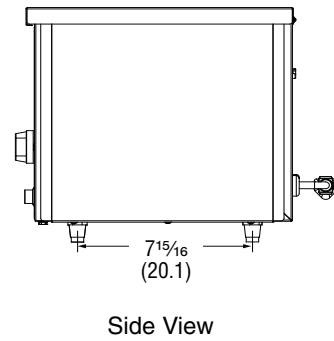
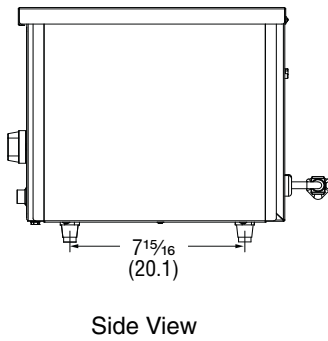
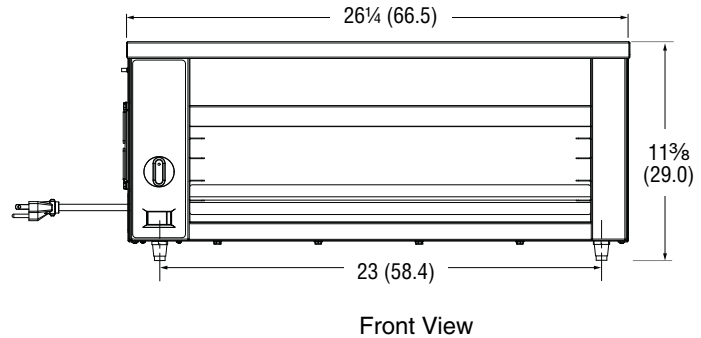
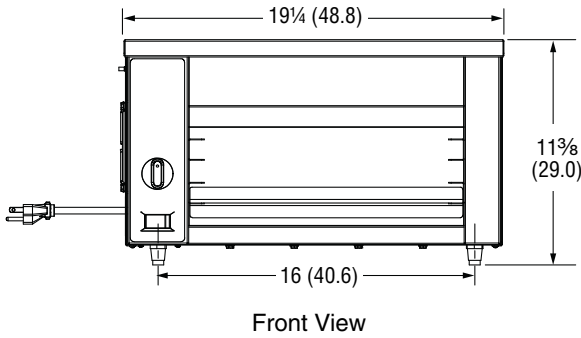
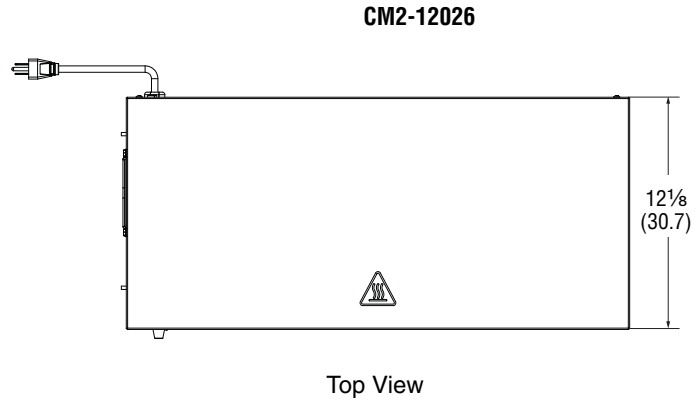
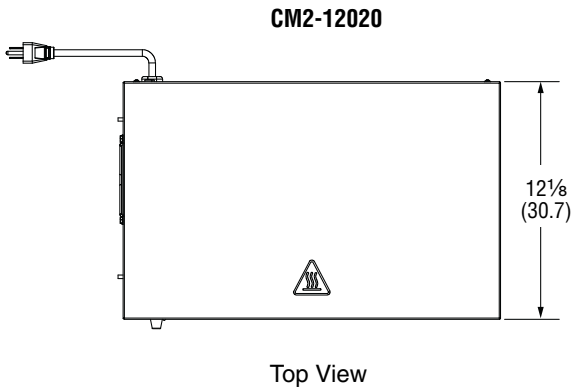
Technical Services
techservicereps@vollrathco.com
 Toaster Products: 800.309.2250
 All Other Products: 800.628.0832

20 AND 26 INCH CHEESE MELTERS

The Vollrath Company, L.L.C.

20 AND 26 INCH CHEESE MELTERS (MODELS JW1, JW2)

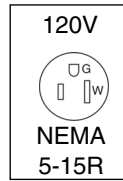
DIMENSIONS (Shown in inches (cm))



SPECIFICATIONS

Item No.	Opening IN (CM)	Phase	Voltage	Watts	Amps	Hz	Weight LB (KG)	Plug
CM2-12020	13 (33)	1	120	1200	10	60	20 (9.1)	NEMA 5-15
CM2-10226	20 1/4 (51.4)			1650	13.8		36 (16.3)	

Receptacle



Outperform every day.™

www.vollrath.com

The Vollrath Company, L.L.C.

1236 North 18th Street
 Sheboygan, WI 53081-3201 U.S.A.
 Main Tel: 800.624.2051 or 920.457.4851
 Main Fax: 800.752.5620 or 920.459.6573
 Customer Service: 800.628.0830
 Canada Customer Service: 800.695.8560

Technical Services
techservicereps@vollrathco.com
 Toaster Products: 800.309.2250
 All Other Products: 800.628.0832