



# GAS GRIDDLE

Project                      Date                      Models **GCP15, GCP24, GCP36, GCP48**                      Item#                      Quantity



model GCP48

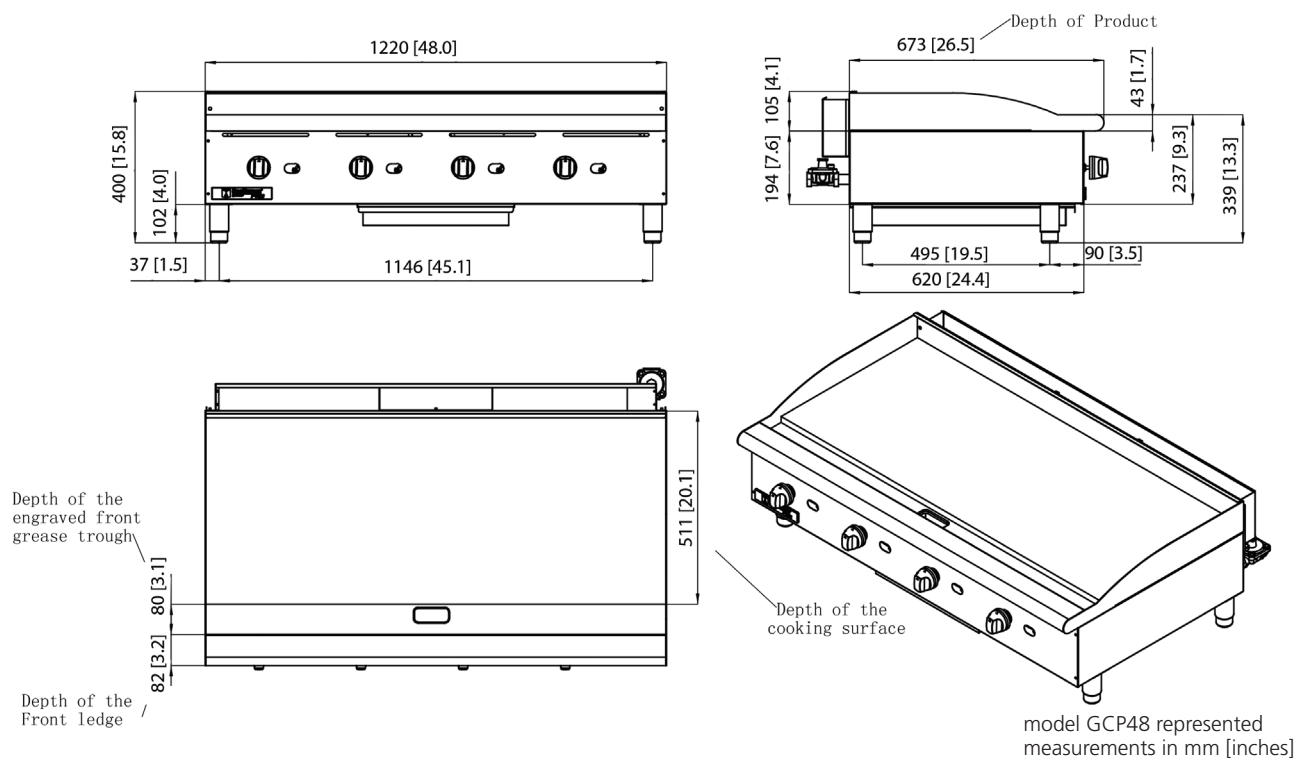
## Features

- Sleek, heavy-duty stainless steel construction for long life and easy maintenance
- All models can be operated using natural or LP gas (conversion kit included)
- Manually controlled, independent cooking zones
- Countertop units with 20" depth available in four widths: 15", 24", 36", and 48"
- Griddle plate thickness of 1"
- Bottom-welded plate for accurate heat distribution
- Stainless steel full-cooking depth dual-ported burners
- Easy-access front panel pilot adjustments
- 1 $\frac{3}{4}$ " sturdy non-marring stainless steel legs
- Ergonomically rounded front bullnose
- Industrial metal knobs



## Models & Dimensions

### Gas Griddle



## Specifications

Model	Cooking Surface (W x D)	No. of Burners	BTUs per Hour	Product Dimensions (H x W x D)	Ship Dimensions (H x W x D)	Ship Weight
<b>GCP15</b> (6601-1000)	15" x 20" 37.7 cm x 51 cm	1	30,000	15.6" x 15" x 30" 39.6 cm x 38.1 cm x 76.2 cm	19.1" x 18.5" x 32.5" 47 cm x 82.6 cm x 48.5 cm	165 lbs. 74.8 kg.
<b>GCP24</b> (6601-1001)	24" x 20" 60.6 cm x 51 cm	2	60,000	15.6" x 24" x 30" 39.6 cm x 61 cm x 76.2 cm	19.1" x 28" x 32.5" 47.1 cm x 82.6 cm x 48.5 cm	210 lbs. 95.3 kg.
<b>GCP36</b> (6601-1002)	36" x 20" 91.1 cm x 51 cm	3	90,000	15.6" x 36" x 30" 39.6 cm x 91 cm x 76.2 cm	19.1" x 40" x 32.5" 101.6 cm x 82.6 cm x 48.5 cm	345 lbs. 156.5 kg.
<b>GCP48</b> (6601-1003)	48" x 20" 121.6 cm x 51 cm	4	120,000	15.6" x 48" x 30" 39.6 cm x 122 cm x 76.2 cm	18" x 52" x 32.5" 132.1 cm x 82.6 cm x 48.5 cm	360 lbs. 163.3 kg.



GMCW™ 4003 Collins Lane, Louisville, KY 40245 USA

Tel: +1.502.425.4776 / 800.695.4500 (USA & Canada only) • Fax: +1.502.425.4664 • [www.gmcw.com](http://www.gmcw.com) • Email: [info@gmcw.com](mailto:info@gmcw.com)