



ROYAL SERIES PLUMBING

8" CENTER WALL MOUNT FAUCETS

MODEL: _____ PROJECT: _____ ITEM #: _____ QTY: _____

PRODUCT IMAGE



14-812 SHOWN

**ALSO AVAILABLE IN LOW LEAD BY
ADDING "L" TO MODEL NUMBER**

STANDARD FEATURES

- 1/4 turn high performance ceramic cartridge valve with built-in back flow preventers
- Heavy-Duty flanges with eccentric fittings for quick installations
- Heavy-Duty spout with double O-Ring construction and welded shoulder for durability
- High precision machining and polished nickel chromium finish
- Color-coded handles
- Optional wrist blade handles available
- Mounting kit included (1/2" NPT x 1 1/2" male nipples with locknuts)
- Full replacement parts available
- 1 Year Warranty
- **Low Lead Compliance**
"L" Models meet California AB-1953 and Vermont S152 standards
(Faucet models already listed with the "L" suffix (i.e. 12-806L) are only available in Low Lead Compliant model)

SPECIFICATIONS

- 8" on center wall mount with 1/2" NPT male inlets
- Rough in: Two 7/8" round holes on 8" centers
- Temperature Range: 40°F to 180°F
- Flow rate: 2 GPM max
- Shipping weight: 5 1/2 lbs.
- Quantity per case: 6



CERTIFICATIONS:

APPROVED BY:

Due to our commitment to continued product improvement, specifications are subject to change without notice.

Printed in the USA

Krowne Metal Corporation

100 Haul Rd. Wayne, NJ 07470 • Toll Free: (800) 631-0442 • Fax: (973) 872-1129
sales@krowne.com • www.krowne.com • www.facebook.com/KrowneMetal • www.twitter.com/KrowneMetal

Total Restaurant Supply

Rev. 05/2012
No. 14-8XX



ROYAL SERIES PLUMBING

8" CENTER WALL MOUNT FAUCETS

MODEL: _____ PROJECT: _____ ITEM #: _____ QTY: _____

MODELS

STANDARD SPOUTS

Model Numbers	Ⓐ	Ⓑ	Ⓒ
14-806	6"	2 3/8"	4 7/8"
14-808	8"	2 3/8"	4 7/8"
14-810	10"	2 5/8"	5 1/4"
14-812	12"	3 1/8"	5 5/8"
14-814	14"	3 1/2"	6"
14-816	16"	4 1/2"	7"
12-818L*	18"	5 1/2"	8"

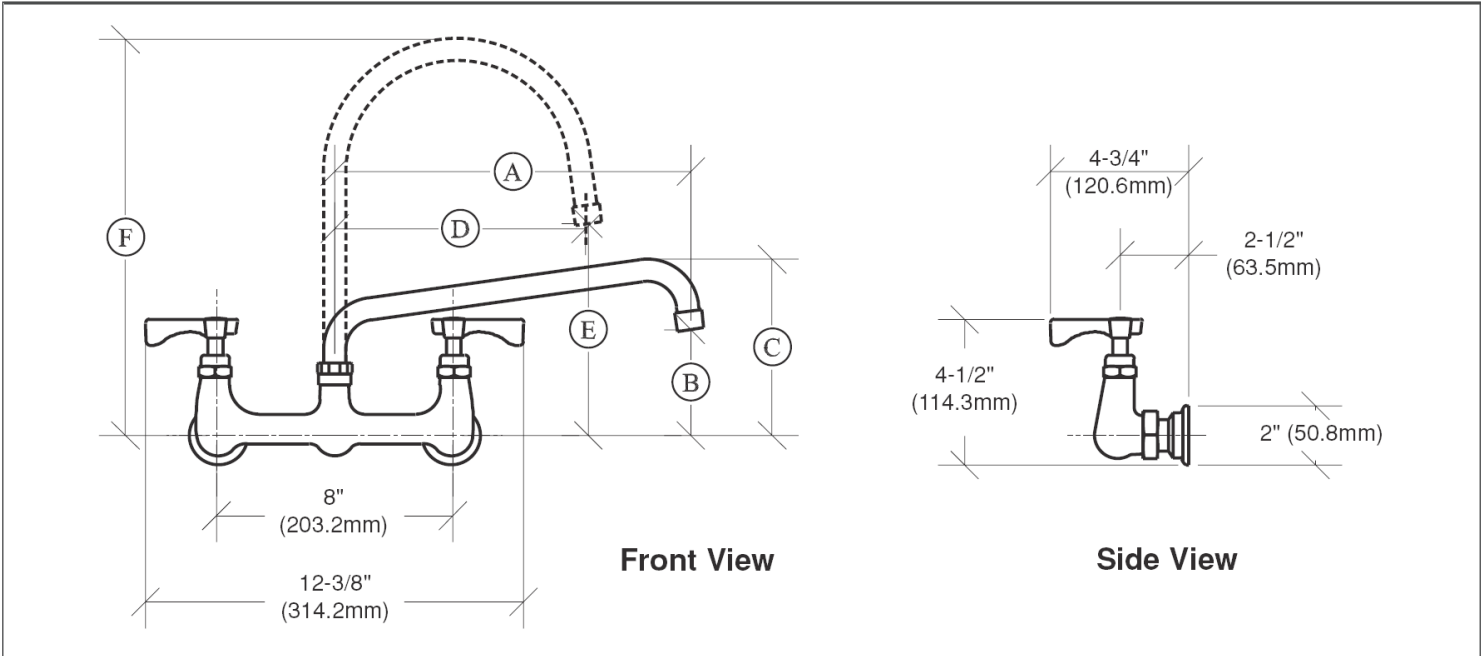
GOOSENECK SPOUTS

Model Numbers	Ⓓ	Ⓔ	Ⓕ
14-801L	6"	6"	10"
14-802L	8 1/2"	7 1/2"	12 7/8"

NOTE: Add "L" to end of Model Number for Low Lead Model

*Double Jointed Spout

DRAWING



APPROVED BY:

Due to our commitment to continued product improvement, specifications are subject to change without notice.

CERTIFICATIONS:

Printed in the USA

Krowne Metal Corporation

100 Haul Rd. Wayne, NJ 07470 • Toll Free: (800) 631-0442 • Fax: (973) 872-1129

sales@krowne.com • www.krowne.com • www.facebook.com/KrowneMetal • www.twitter.com/KrowneMetal

Total Restaurant Supply

Rev. 05/2012

No. 14-8XX