



SERVING THE FOOD INDUSTRY SINCE 1951

39-INCH ICE CREAM DISPLAY CHEST FREEZER WITH FLAT GLASS TOP

Item: 46493 Model: FR-CN-0260-R

Designed to merchandise and provide increased sales of frozen novelties and seasonal specialties

Omcans 39-inch ice cream display chest freezer is designed to merchandise and provide increased sales of frozen novelties and seasonal specialties. Its flat glass top puts your products in clear view of your customers. With 9.5 cu.ft. of storage, this freezer gives a spacious interior to keep an abundance of frozen products. For ice cream parlours, convenience stores and supermarkets, it has a sleek, attractive unit that is guaranteed to keep up with the demands of your establishment.

PRODUCT FEATURES

- 9.5 cu.ft. of storage
- Exterior Material: Durable white powder coated steel
- Interior Material: Pre-coated steel
- Designed with sliding door and a built-in lock for security
- 4 casters; 2 with brakes
- Fits 3 baskets



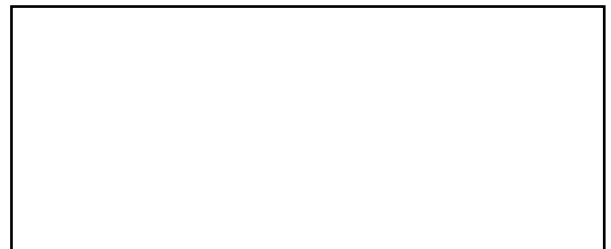
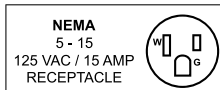
WARRANTY
PARTS AND LABOR



Intertek



Intertek



Authorized Dealer

REFRIGERATION

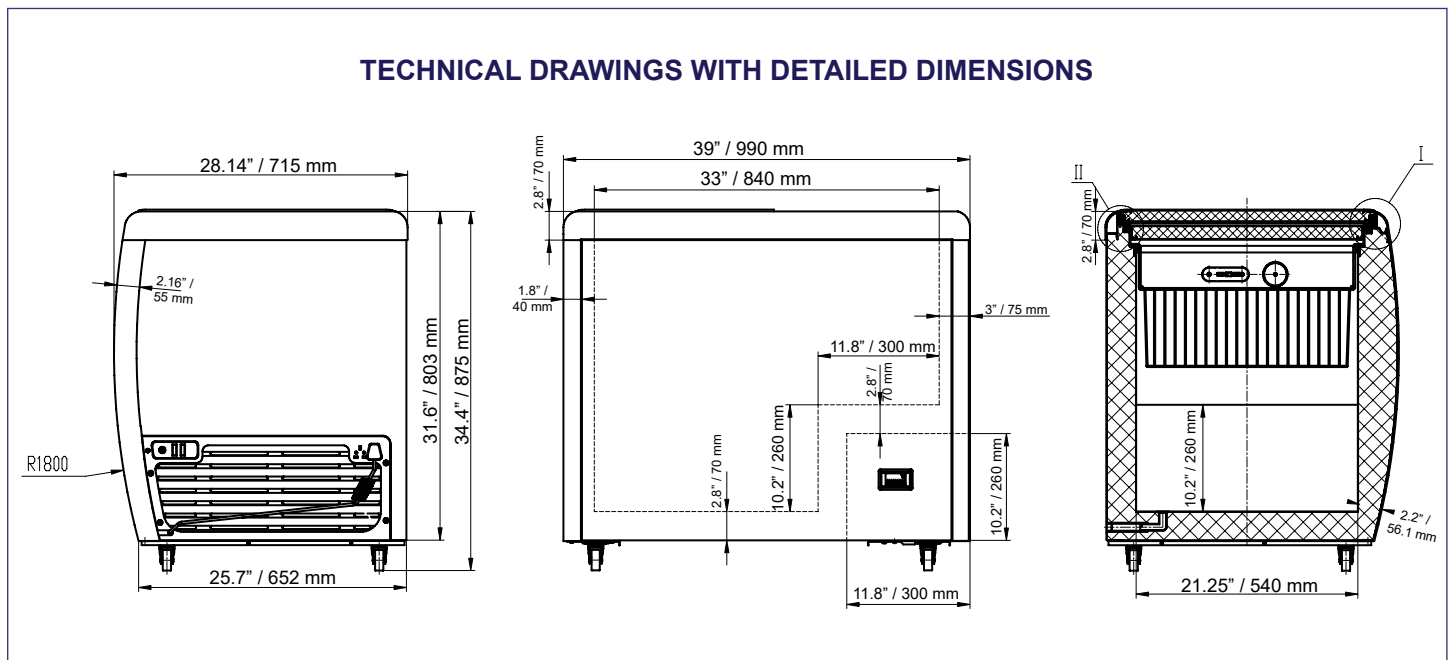
39-INCH ICE CREAM DISPLAY CHEST FREEZER



TECHNICAL SPECIFICATIONS

ITEM NUMBER	46493
MODEL	FR-CN-0260-R
CAPACITY (CU. FT.)	9.5 cu. ft.
COMPRESSOR POWER	1/3+ HP
POWER	265 W
AMPS	3.5
NUMBER OF DOORS	2
NUMBER OF BASKETS INCLUDED	3
MAX. NUMBER OF BASKETS THAT CAN FIT	3
TEMPERATURE RANGE	-15°F to 40°F / -26°C to 4°C
REFRIGERANT	R290
ELECTRICAL	110V / 60Hz / 1Ph
DIMENSIONS (DWH)	28.14" x 39" x 34.4" / 715 x 990 x 875 mm
WEIGHT	128 lbs. / 58 kg.
GROSS DIMENSIONS	30" x 42" x 37.4" / 762 x 1067 x 945 mm
GROSS WEIGHT	143 lbs. / 65 kg.

TECHNICAL DRAWINGS WITH DETAILED DIMENSIONS



OMCAN INC.

Telephone: 1-800-465-0234
 Fax: (905) 607-0234
 E-mail: sales@omcan.com
 Website: www.omcan.com



Follow us to keep up to date
with the latest news and offers

