



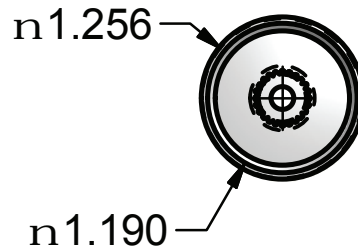
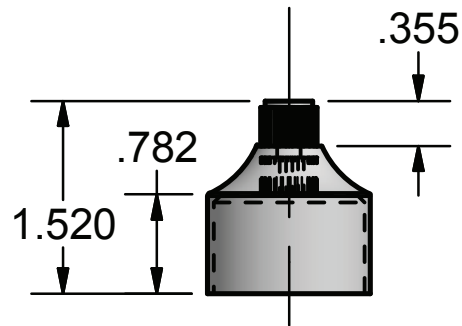
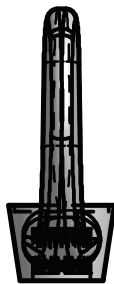
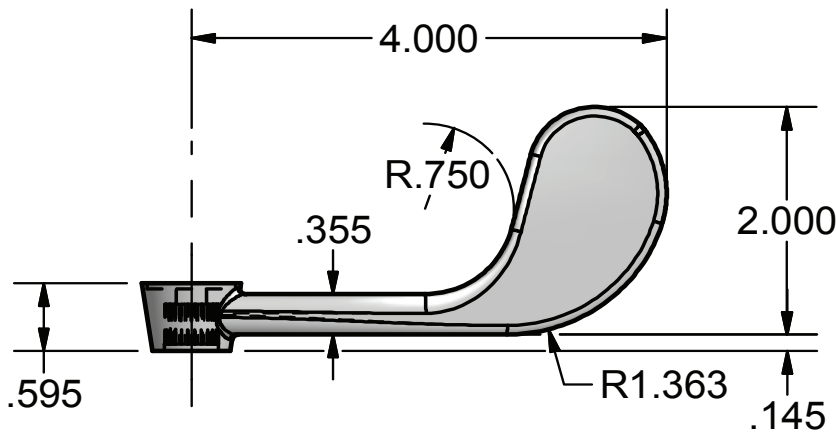
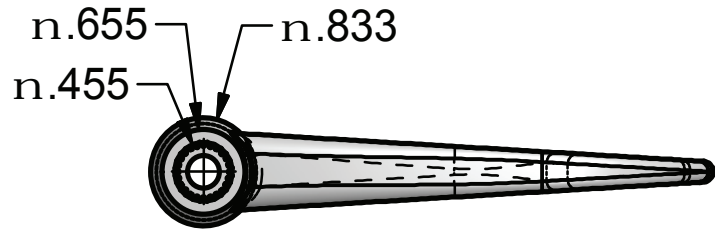
888-310-4393 • 120 Frontage Road, Altamont, IL 62411 • [www.bk-resources.com](http://www.bk-resources.com)



Use your smart phone to scan the above QR code to visit our website: [www.bk-resources.com](http://www.bk-resources.com)

## Wrist Blade Faucet Handle

Model: BKF-WBH



### Product Specifications:

- Chrome Plated
- For ADA Applications

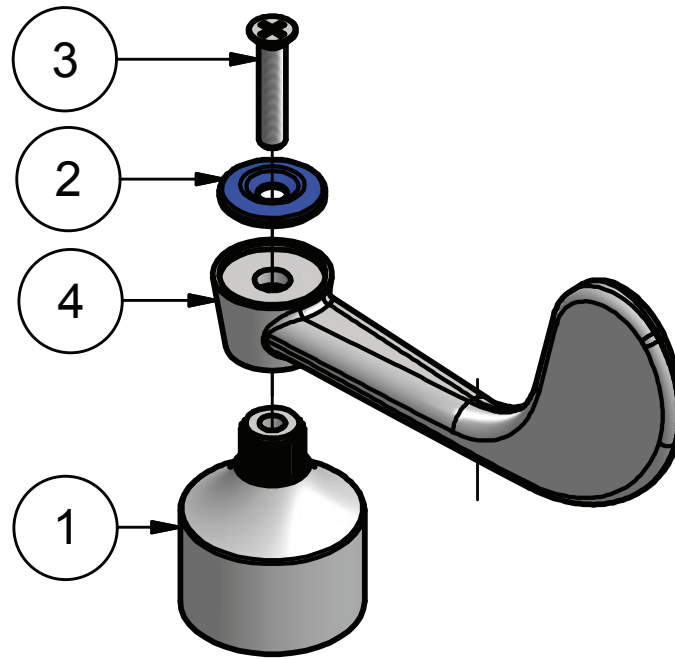
Due to our commitment to improving our products, specifications are subject to change without notice.



888-310-4393 • 120 Frontage Road, Altamont, IL 62411 • [www.bk-resources.com](http://www.bk-resources.com)

## Wrist Blade Faucet Handle

Model: BKF-WBH



**BKF-WBH - ISO**  
**VIEW**  
Scale = 1:2

### Exploded Parts Detail:

Diagram #	Quantity	Part Number	Description
1	2	BKF-WBH-Bonnet	Bonnet
2	2	BKF-WBH-HC	(1) RED & (1) BLUE Indicators
3	2	5mm-WBH-S	Screw
4	2	BKF-WBH	Wrist Blade Handle