



**T&S BRASS AND BRONZE WORKS, INC.**  
 2 SADDLEBACK COVE / P.O. BOX 1088 / TRAVELERS REST, SC 29690  
 PHONE 800-476-4103

2940 HWY 147W, Rochester, MN 55901

FAX 864-834-3518



Sales No.:

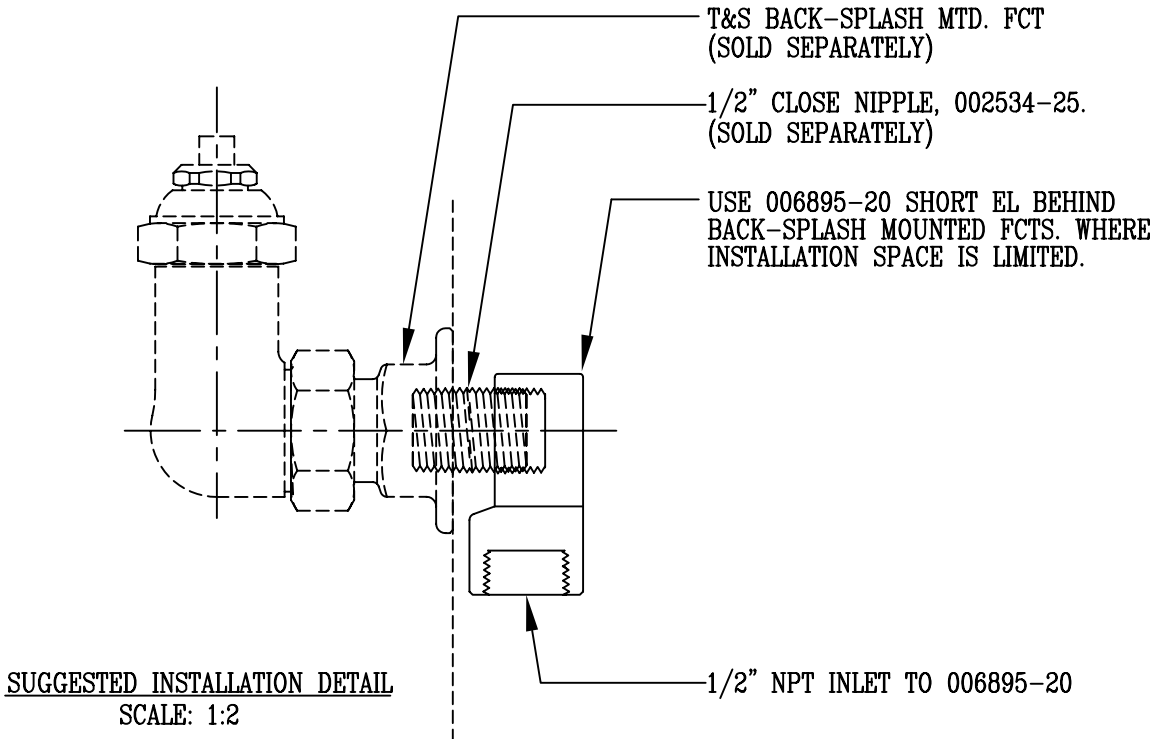
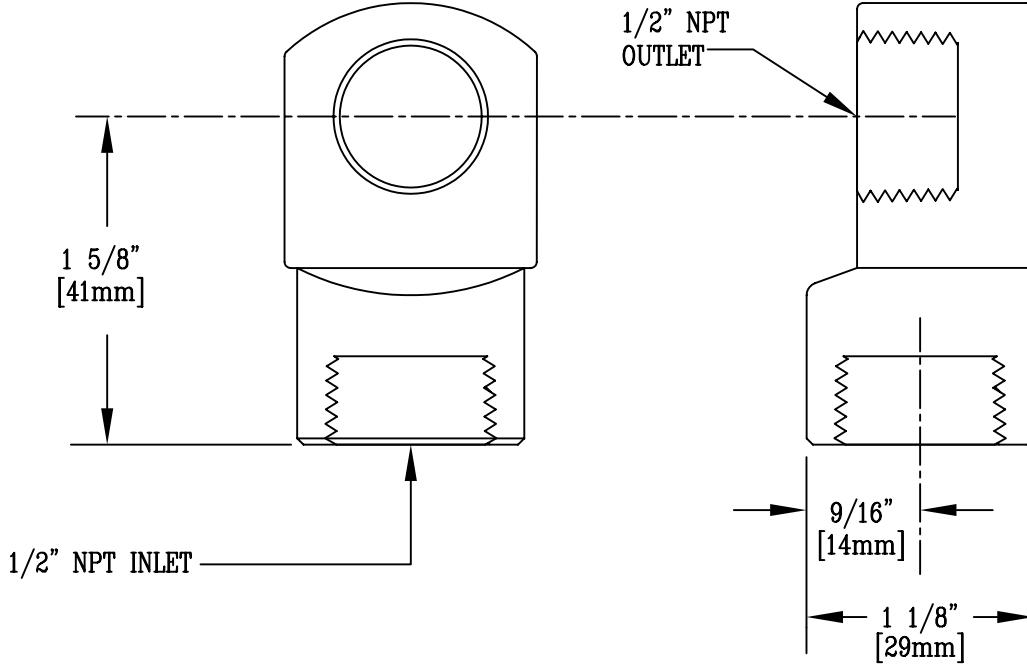
006895-20

Item No.:

Job Name:

Architect/Engineer Approval:

Notes:



Product Description:

90 DEGREE SHORT EL WITH 1/2" NPT INLET & OUTLET FOR WALL MTD. FCT. INSTALLATIONS

Drawn: WJS	Checked DMA	Scale: 1:1
Approved MVW		Date: 2/26/98