



**T&S BRASS AND BRONZE WORKS, INC.**

2 Saddleback Cove / P.O. Box 1088  
 Travelers Rest, SC 29690



REG. #A2601  
 ISO #9001

Model No.

**B-0107**

Item No.

Travelers Rest, SC: 800-476-4103 Simi Valley, CA: 800-423-0150 Fax: 864-834-3518 [www.tsbrass.com](http://www.tsbrass.com)

This Space for Architect/Engineer Approval

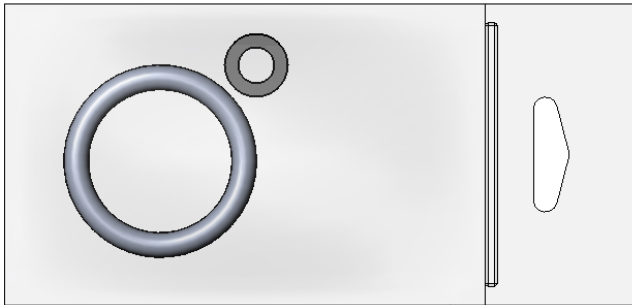
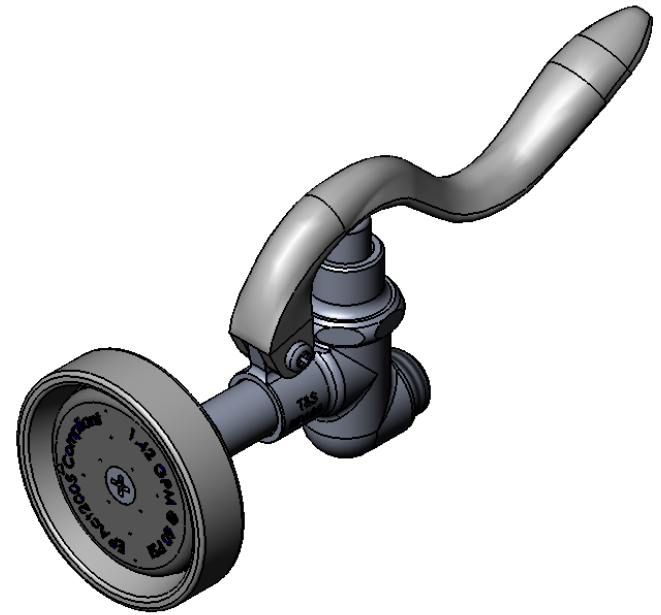
Job Name \_\_\_\_\_ Date \_\_\_\_\_

Model Specified \_\_\_\_\_ Quantity \_\_\_\_\_

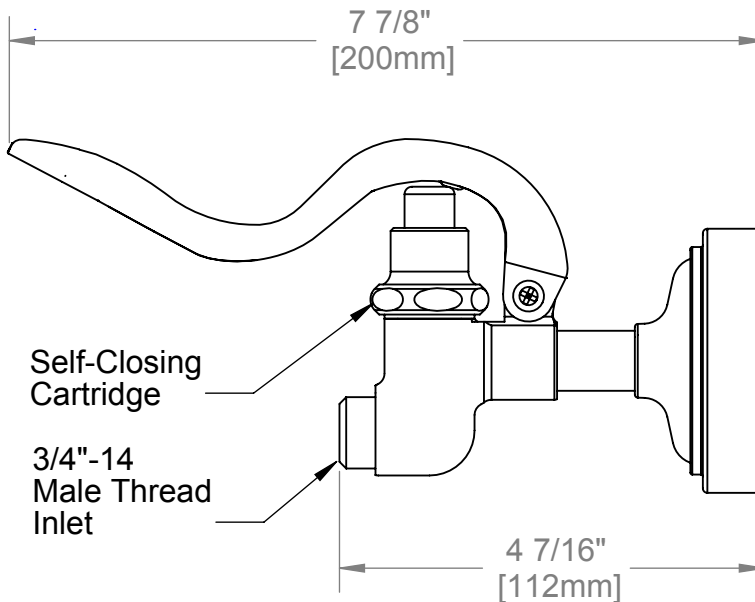
Customer/Wholesaler \_\_\_\_\_

Contractor \_\_\_\_\_

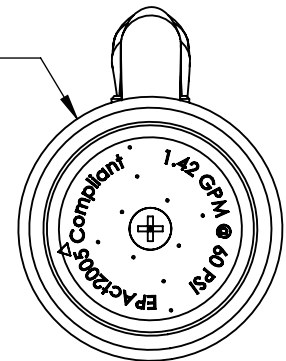
Architect/Engineer \_\_\_\_\_



Furnished w/ Hose Washer & Hold Down Ring



2 3/4" [70mm] Rubber Bumper



**EPAct 2005 Compliant**

Product Specifications:

Self-Closing Pre-Rinse Spray Valve w/ Rubber Bumper & 1.42 GPM Flow Control Spray Face.

Drawn DHL	Checked JRM	Approved JHB
Scale: 1:2	Date: 8/10/07	



**T&S BRASS AND BRONZE WORKS, INC.**  
 2 Saddleback Cove / P.O. Box 1088  
 Travelers Rest, SC 29690



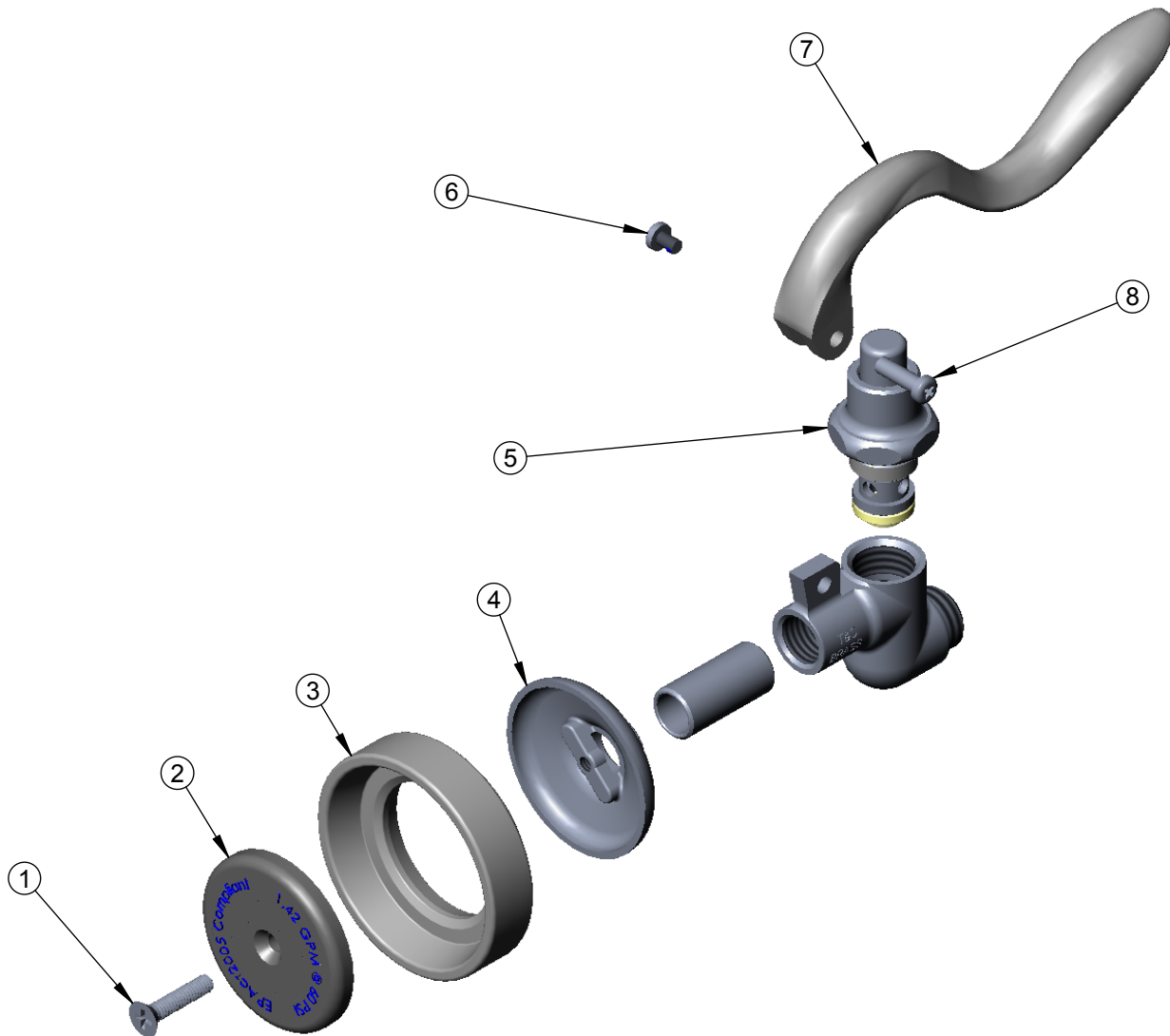
REG. #A2601  
 ISO #9001

Model No.  
**B-0107**

Item No.

Travelers Rest, SC: 800-476-4103 Simi Valley, CA: 800-423-0150 Fax: 864-834-3518 [www.tsbrass.com](http://www.tsbrass.com)

ITEM NO.	SALES NO.	DESCRIPTION
1	000913-45	Screw
2	009845-45	Spray Face, B-0107
3	007861-45	Sprayhead Ring, B-0107
4	000019-40	Spray Cup, B-0107
5	002856-40	Bonnet Asm, B-0107
6	003199-45	Handle Screw, B-0107
7	001120-45	Spray Valve Handle
8	003198-45	Handle Nut, B-0107



Product Specifications:

Self-Closing Pre-Rinse Spray Valve w/ Rubber Bumper  
 & 1.42 GPM Flow Control Spray Face.

Drawn <b>DHL</b>	Checked <b>JRM</b>	Approved <b>JHB</b>
Scale: <b>1:2</b>		Date: <b>8/10/07</b>