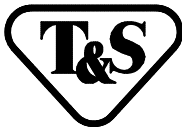


2940 Hwy 14 W, Rochester, MN 55901



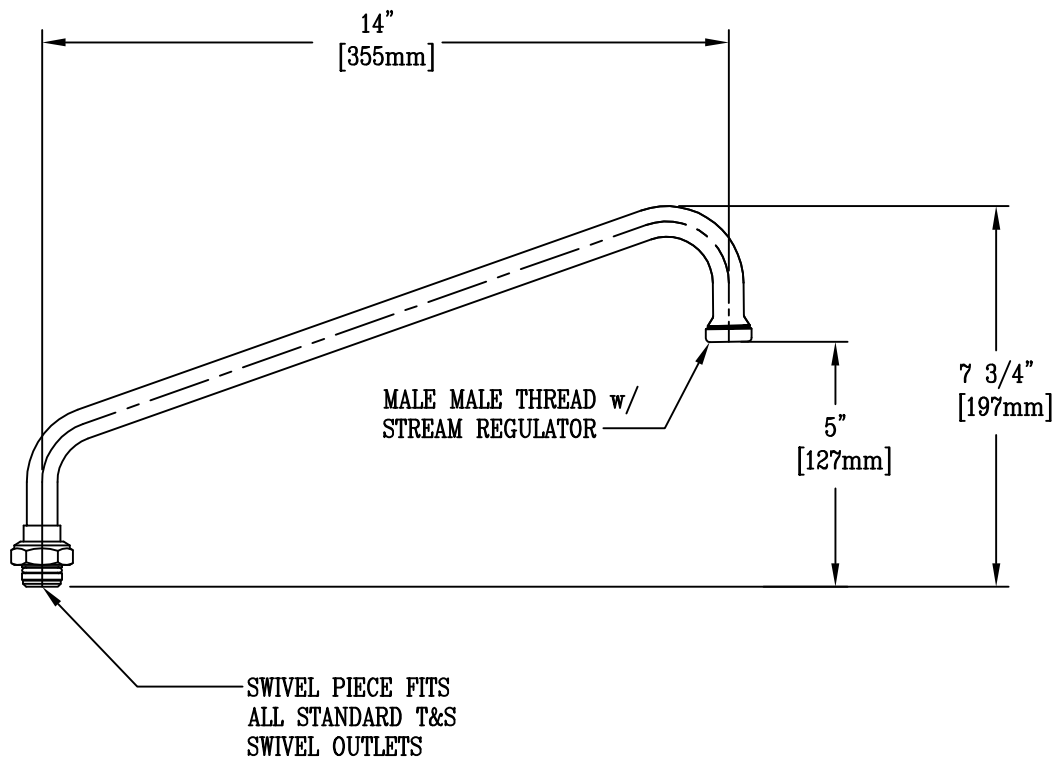
**T&S BRASS AND BRONZE WORKS, INC.**  
 2 SADDLEBACK COVE / P.O. BOX 1088 / TRAVELERS REST, SC 29690  
 PHONE 800-476-4103 FAX 864- 834-3518



Model No.	063X
Item No.:	

Job Name:	Architect/Engineer Approval:
-----------	------------------------------

Notes:



Product Description:  14" SWING NOZZLE w/ STREAM REGULATOR	Drawn: WJS	Checked MWR	Scale: 1 : 4
	Approved CA		Date: 11-15-95