



T&S BRASS AND BRONZE WORKS, INC.
 2 SADDLEBACK COVE / P.O. BOX 1088 / TRAVELERS REST, SC 29690
 PHONE 800-476-4103

2940 HWY 147W, Rochester, MN 55901



Sales No.:

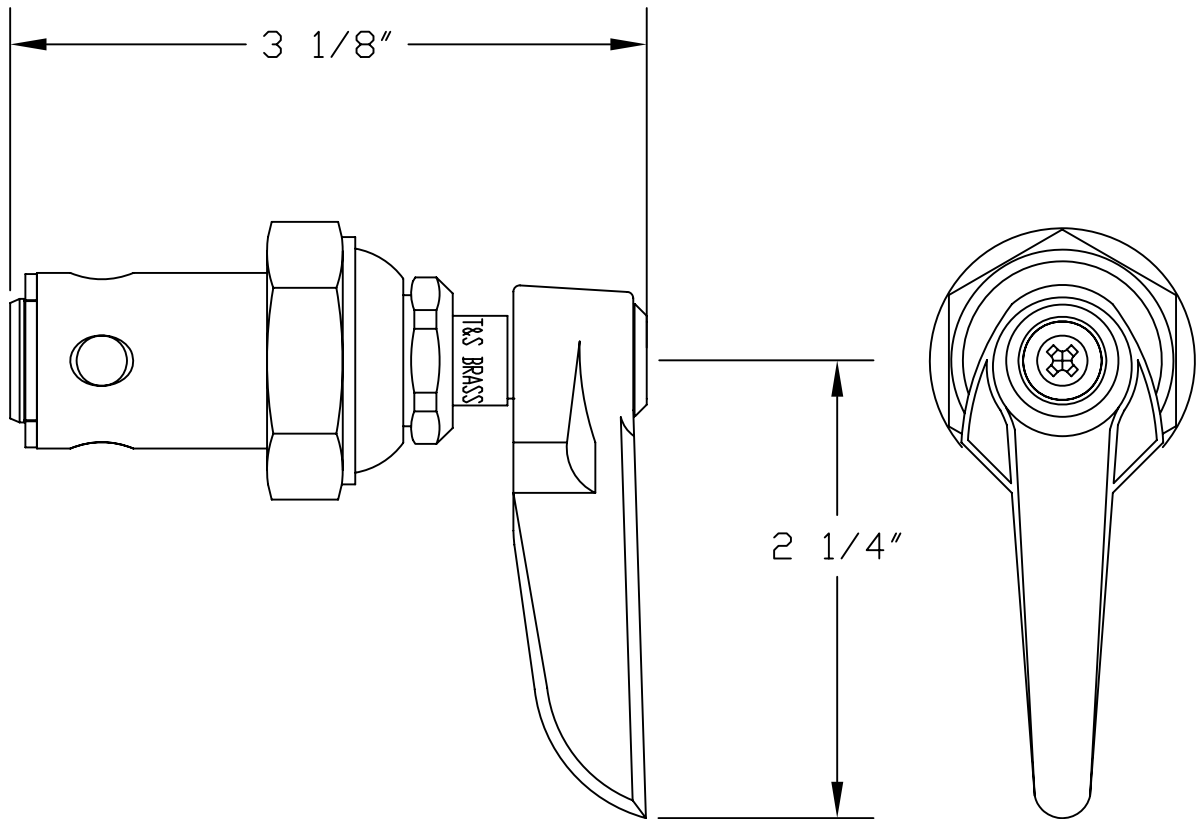
002712-40

Item No.:

Job Name:

Architect/Engineer Approval:

Notes:



Product Description:

RIGHT HAND ETERNA CARTRIDGE ASM
 w/ SPRING CHECK

Drawn:

DHL

Checked

MAV

Scale:

1:1

Approved

JHB

Date:

4/30/08