



**T&S BRASS AND BRONZE WORKS, INC.**

2 Saddleback Cove / P.O. Box 1088  
 Travelers Rest, SC 29690



REG. #A2601  
 ISO #9001

Model No.

**002832-40**

Item No.

Travelers Rest, SC: 800-476-4103 • Simi Valley, CA: 800-423-0150 • Fax: 864-834-3518 • [www.tsbrass.com](http://www.tsbrass.com)

This Space for Architect/Engineer Approval

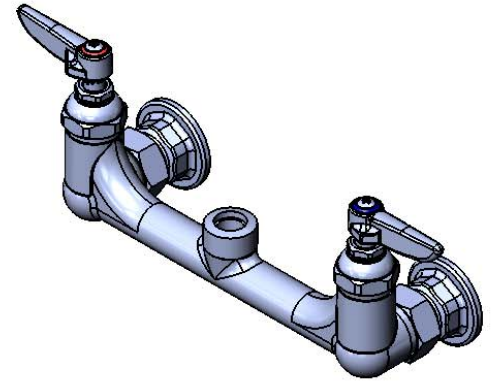
Job Name \_\_\_\_\_ Date \_\_\_\_\_

Model Specified \_\_\_\_\_ Quantity \_\_\_\_\_

Customer/Wholesaler \_\_\_\_\_

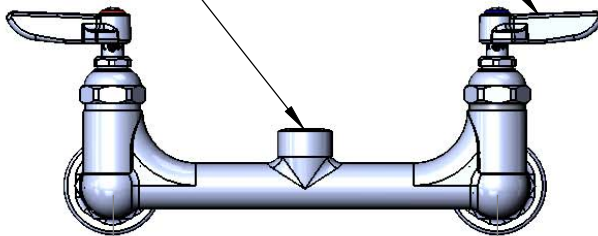
Contractor \_\_\_\_\_

Architect/Engineer \_\_\_\_\_



Eterna Cartridges  
 w/ Spring Checks  
 & Lever Handles  
 w/ Color Coded  
 Indexes

3/8" NPT  
 Female Outlet



8"  
 [203mm]  
 Adjustable from  
 7 3/4" to 8 1/4"  
 [197mm to 210mm]

2 3/8"  
 [61mm]



Mounting  
 Surface

Ø 2" [51mm]  
 Flanges w/  
 1/2" NPT  
 Female Inlets

Note: Rigid Base may be Converted to Swivel by  
 Specifying a B-0412 Rigid to Swivel Adapter

Product Specifications:  
 8" c/c Rigid Wall Mount Base Faucet Assembly, Eterna Cartridges  
 w/ Spring Checks, 00AA Wall Flanges & Lever Handles

Drawn <b>DHL</b>	Checked <b>KJG</b>	Approved <b>JHB</b>
Scale: <b>1:4</b>		Date: <b>02/07/11</b>



**T&S BRASS AND BRONZE WORKS, INC.**

2 Saddleback Cove / P.O. Box 1088  
 Travelers Rest, SC 29690



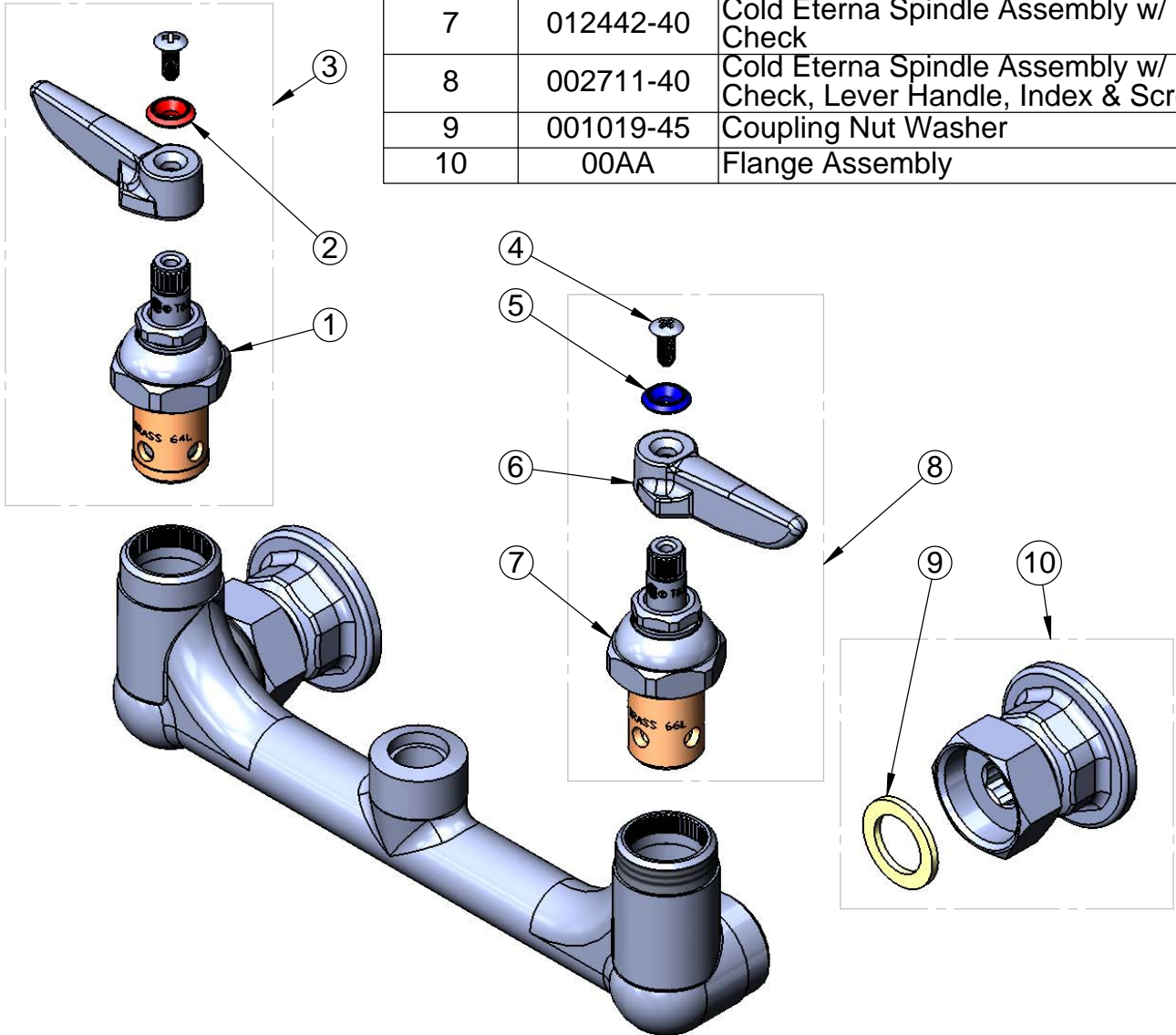
Model No.

**002832-40**

Item No.

Travelers Rest, SC: 800-476-4103 • Simi Valley, CA: 800-423-0150 • Fax: 864-834-3518 • [www.tsbrass.com](http://www.tsbrass.com)

ITEM NO.	SALES NO.	DESCRIPTION
1	012443-40	Hot Eterna Spindle Assembly w/ Spring Check
2	001661-45	Red Index-HW
3	002712-40	Hot Eterna Spindle Assembly w/ Spring Check, Lever Handle, Index & Screw
4	000922-45	Lever Handle Screw
5	001660-45	Blue Index-CW
6	001638-45	Lever Handle
7	012442-40	Cold Eterna Spindle Assembly w/ Spring Check
8	002711-40	Cold Eterna Spindle Assembly w/ Spring Check, Lever Handle, Index & Screw
9	001019-45	Coupling Nut Washer
10	00AA	Flange Assembly



Product Specifications:  
 8" c/c Rigid Wall Mount Base Faucet Assembly, Eterna Cartridges  
 w/ Spring Checks, 00AA Wall Flanges & Lever Handles

Drawn <b>DHL</b>	Checked <b>KJG</b>	Approved <b>JHB</b>
Scale: <b>NTS</b>		Date: <b>02/07/11</b>