



T&S BRASS AND BRONZE WORKS, INC.

2 Saddleback Cove / P.O. Box 1088
 Travelers Rest, SC 29690



Model No.

B-0133-ADF12-B

Item No.

Travelers Rest, SC: 800-476-4103 • Simi Valley, CA: 800-423-0150 • Fax: 864-834-3518 • www.tsbrass.com

This Space for Architect/Engineer Approval

Job Name _____ Date _____

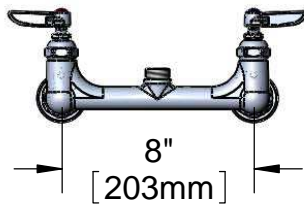
Model Specified _____ Quantity _____

Customer/Wholesaler _____

Contractor _____

Architect/Engineer _____

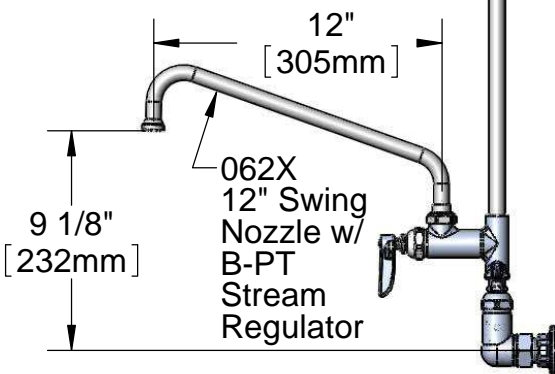
EPA ct2005 COMPLIANT



8"
 [203mm]
 Adjustable from
 7 3/4" to 8 1/4"
 [197mm to 210mm]

Flex Hose, Overhead
 Spring, Wall Bracket
 & Spray Valve
 Not Shown for Clarity

004R
 Finger Hook



9 1/8"
 [232mm]

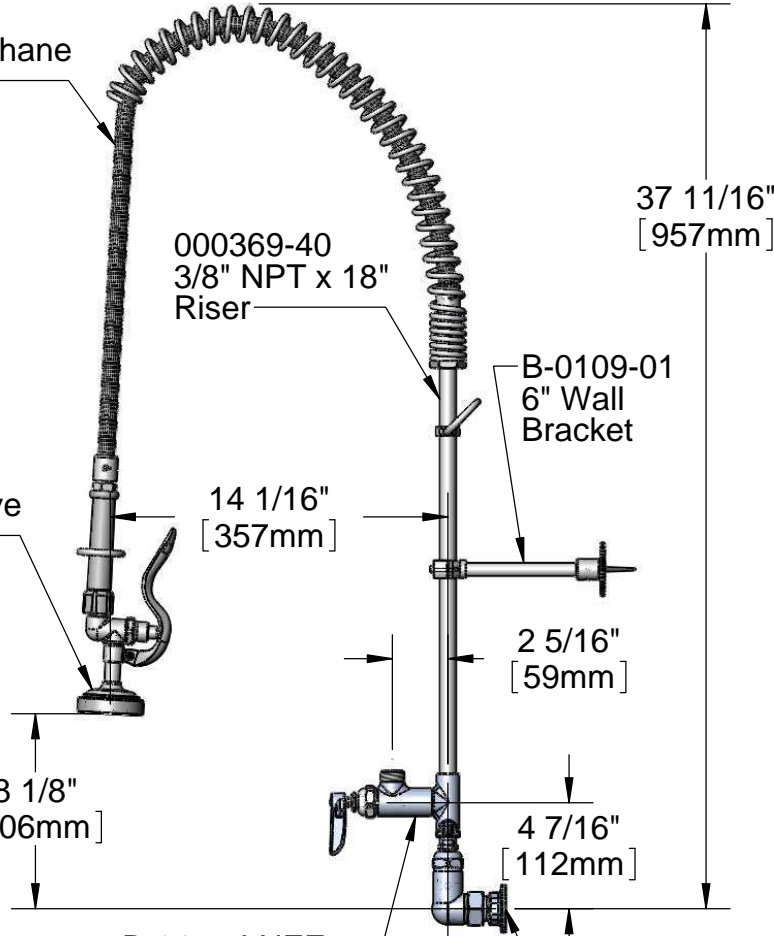
062X
 12" Swing
 Nozzle w/
 B-PT
 Stream
 Regulator

12"
 [305mm]

B-0044-H
 Stainless Steel
 Flex Hose
 w/ Polyurethane
 Inner Hose

B-0107
 Spray Valve
 1.42 GPM

8 1/8"
 [206mm]



000369-40
 3/8" NPT x 18"
 Riser

14 1/16"
 [357mm]

37 11/16"
 [957mm]

B-0109-01
 6" Wall
 Bracket

2 5/16"
 [59mm]

4 7/16"
 [112mm]

B-0155-LNEZ
 Add-On Faucet

2 3/8"
 [61mm]

Ø 2"
 [51mm]
 Flanges w/
 1/2" NPT
 Female Inlets

Product Specifications:
 EasyInstall Pre-Rinse Wall Mount Mixing Faucet, Eterna Cartridges
 w/ Spring Checks, B-0044-H Stainless Steel Flex Hose, B-0107
 Spray Valve, 6" Wall Bracket & Add-On Faucet w/ 12" Swing Nozzle

Drawn	Checked	Approved
JRM	DMH	JHB
Scale:	Date:	
1:8	07/14/11	



T&S BRASS AND BRONZE WORKS, INC.

2 Saddleback Cove / P.O. Box 1088
 Travelers Rest, SC 29690

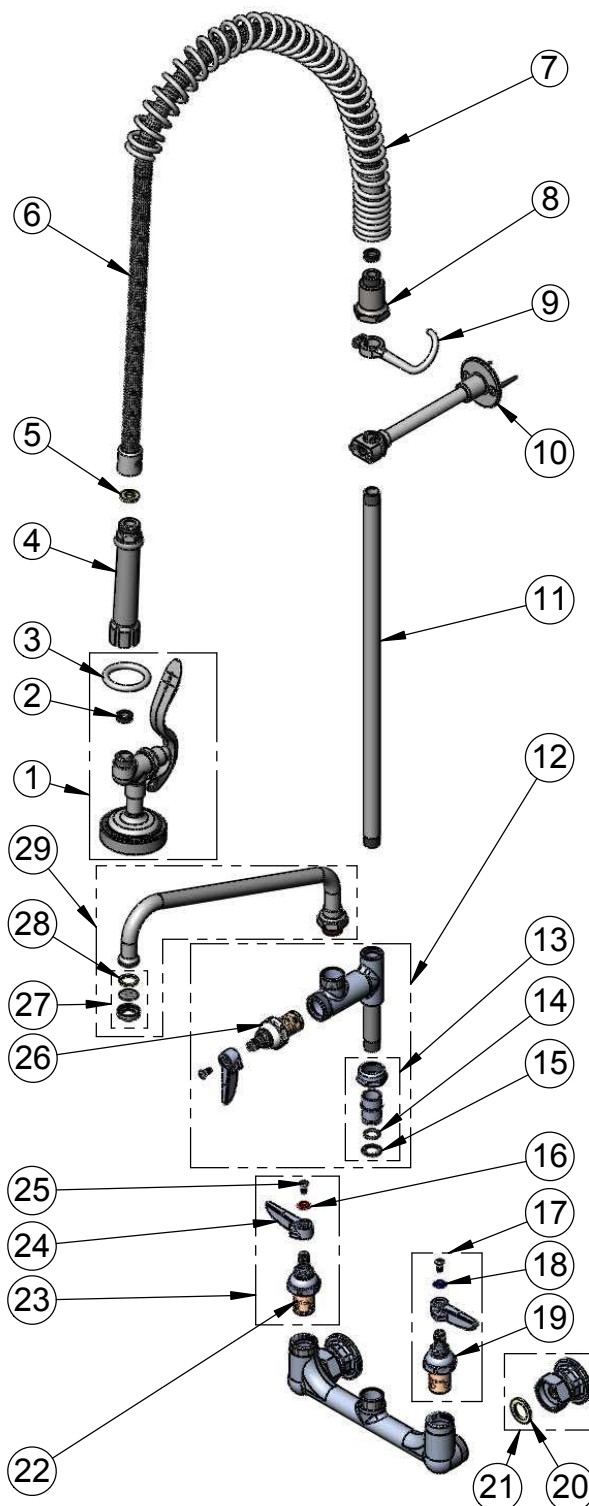


Model No.

B-0133-ADF12-B

Item No.

Travelers Rest, SC: 800-476-4103 • Simi Valley, CA: 800-423-0150 • Fax: 864-834-3518 • www.tsbrass.com



ITEM NO.	SALES NO.	DESCRIPTION
1	B-0107	Spray Valve Assembly
2	010476-45	#27 Washer
3	000907-45	Spray Valve Hold Down Ring
4	002987-40	Grip Handle Assembly
5	001014-45	Washer, B-0100 Hose Barrel
6	B-0044-H2A	68" SS Flex Hose w/o Handle
7	000888-45	EasyInstall Overhead Spring
8	000821-40	Spring Body
9	004R	Finger Hook Assembly
10	B-0109-01	6" Wall Bracket
11	000369-40	3/8" NPT x 18" Long Riser
12	B-0155-LNEZ	EasyInstall Add-On Faucet Less Nozzle
13	EZ-K	EasyInstall Retro Fit Kit, Nut, Bushing O-Ring & Lock Washer
14	001065-45	EasyInstall O-Ring
15	014200-45	Star Washer, Anti-Rotation
16	001661-45	Red Index-HW
17	002711-40	Cold Eterna Cartridge w/ Spring Check, Handle, Index & Screw
18	001660-45	Blue Index-CW
19	012442-40	Cold Eterna Cartridge w/ Spring Check
20	001019-45	Coupling Nut Washer
21	00AA	Coupling Flange Assembly
22	012443-40	Hot Eterna Cartridge w/ Spring Check
23	002712-40	Hot Eterna Cartridge w/ Spring Check, Handle, Index & Screw
24	001638-45	Lever Handle
25	000922-45	Lever Handle Screw
26	007947-40	Quarter Turn Hot Eterna Cartridge
27	B-PT	Stream Regulator Outlet
28	001048-45	Nozzle Tip Washer
29	062X	12" Swing Nozzle Assembly

Product Specifications:
 EasyInstall Pre-Rinse Wall Mount Mixing Faucet, Eterna Cartridges w/ Spring Checks, B-0044-H Stainless Steel Flex Hose, B-0107 Spray Valve, 6" Wall Bracket & Add-On Faucet w/ 12" Swing Nozzle

Drawn	Checked	Approved
JRM	DMH	JHB
Scale:		Date:
NTS		07/14/11