



T&S BRASS AND BRONZE WORKS, INC.
 2 Saddleback Cove / P.O. Box 1088
 Travelers Rest, SC 29690



Model No.
B-0230-KIT

Item No.

Travelers Rest, SC: 800-476-4103 Simi Valley, CA: 800-423-0150 Fax: 864-834-3518 www.tsbrass.com

This Space for Architect/Engineer Approval

Job Name _____ Date _____

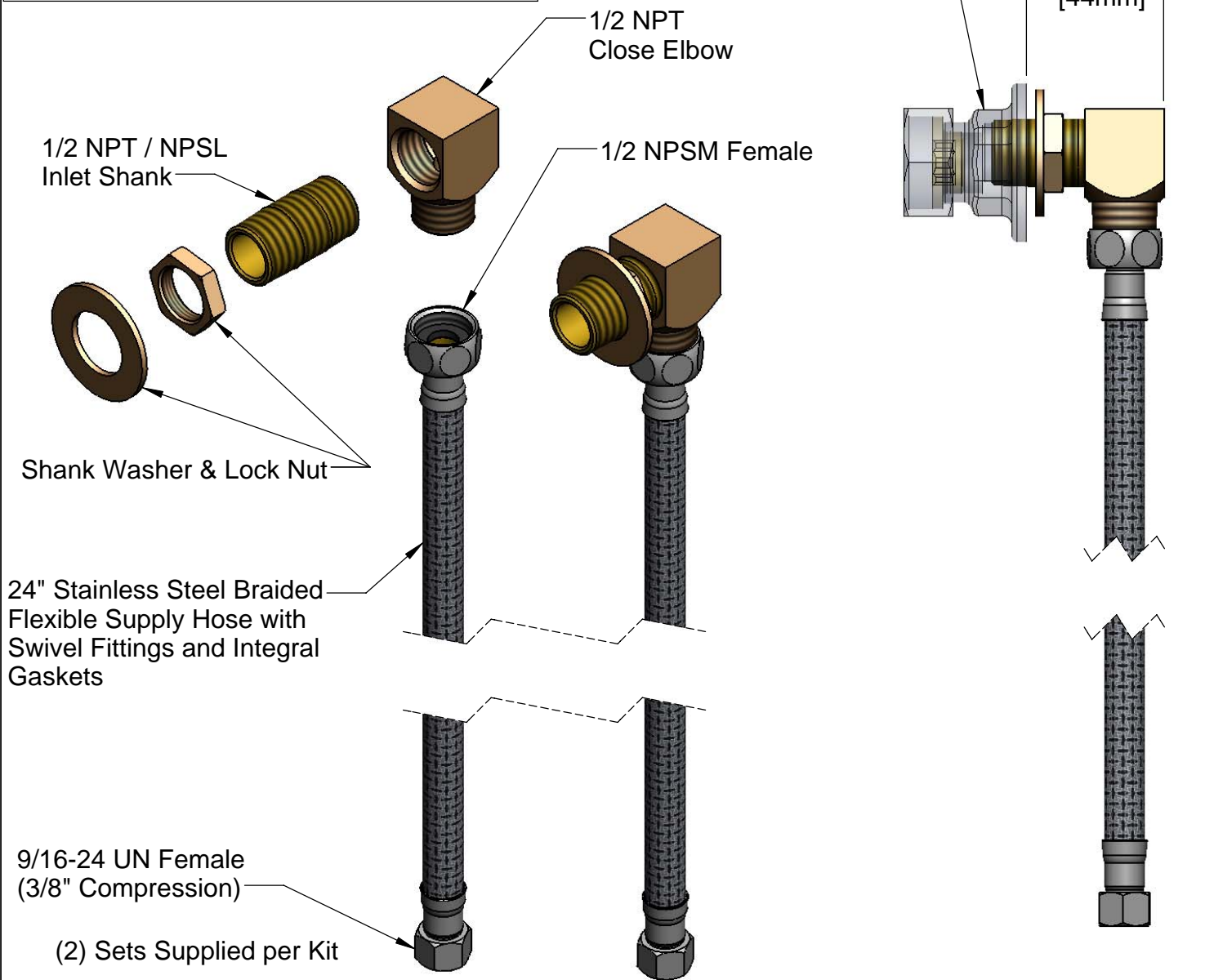
Model Specified _____ Quantity _____

Customer/Wholesaler _____

Contractor _____

Architect/Engineer _____

Typical Faucet Mounting Flange
 (Not Included)



Product Specifications:
Inlet Kit:
 1/2" Inlet Shanks, Close Elbows
 and 24" Flexible Supply Hoses

Drawn GEF	Checked JRM	Approved JHB
Scale: 1:2		Date: 02/16/09



T&S BRASS AND BRONZE WORKS, INC.
 2 Saddleback Cove / P.O. Box 1088
 Travelers Rest, SC 29690

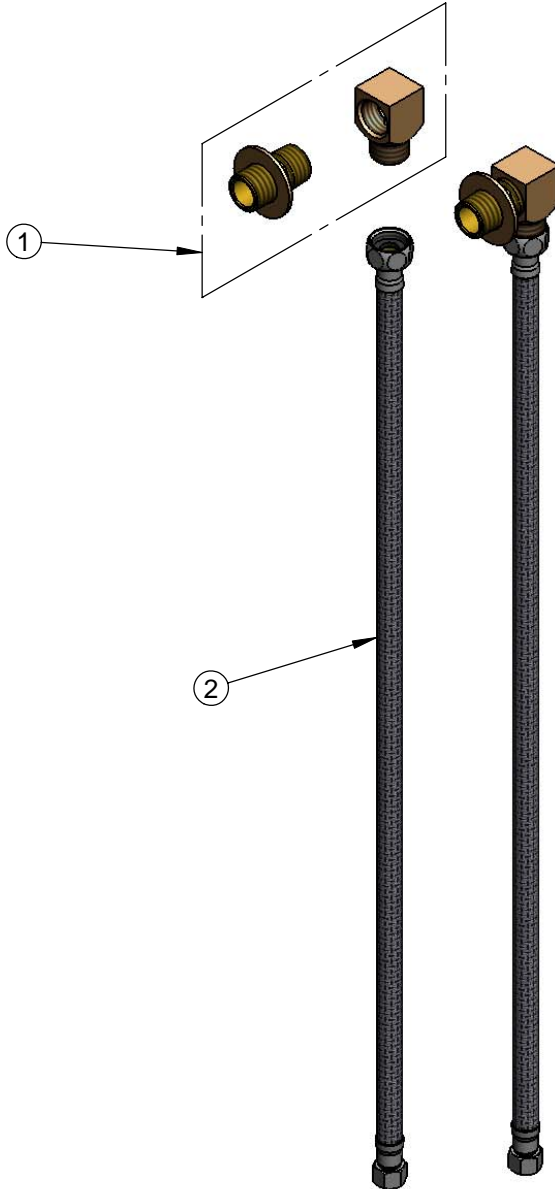


Model No.
B-0230-KIT

Item No.

Travelers Rest, SC: 800-476-4103 Simi Valley, CA: 800-423-0150 Fax: 864-834-3518 www.tsbrass.com

ITEM NO.	SALES NO.	DESCRIPTION
1	B-0230-K	1/2" Inlet Assembly Kit (2 Sets per Kit)
2	017420-45	24" Flexible Supply Hose (Sold Individually)



Product Specifications:

Inlet Kit:
 1/2" Inlet Shanks, Close Elbows
 and 24" Flexible Supply Hoses

Drawn GEF	Checked JRM	Approved JHB
Scale: 1:4		Date: 02/16/09

Sheet: 2 of 2