



# Installation and Maintenance Instructions

## Limited One Year Warranty

T&S warrants to the original purchaser (other than for purposes of resale) that such product is free from defects in material and workmanship for a period of one (1) year from the date of purchase. During this one-year warranty period, if the product is found to be defective, T&S shall, at its options, repair and/or replace it. To obtain warranty service, products must be returned to...

*T&S Brass and Bronze Works, Inc.  
Attn: Warranty Repair Department  
2 Saddleback Cove  
Travelers Rest, SC 29690*

Shipping, freight, insurance, and other transportation charges of the product to T&S and the return of repaired or replaced product to the purchaser are the responsibility of the purchaser. Repair and/or replacement shall be made within a reasonable time after receipt by T&S of the returned product. This warranty does not cover items which have received secondary finishing or have been altered or modified after purchase, or for defects caused by physical abuse to or misuse of the product, or shipment of the products.

Any express warranty not provided herein, and any remedy for Breach of Contract which might arise, is hereby excluded and disclaimed. Any implied warranties of merchantability or fitness for a particular purpose are limited to one year in duration. Under no circumstances shall T&S be liable for loss of use or any special consequential costs, expenses or damages.

Some states do not allow limitations on how long and implied warranty lasts or the exclusion or limitation of incidental or consequential damages, so the above limitations or exclusions may not apply to you. Specific rights under this warranty and other rights vary from state to state.

P/N: 098-003120-45 Rev.3  
Date: 09-11-14  
Drawn: TEH  
Checked: JRM 09-12-14  
Approved: JHB 09-19-14



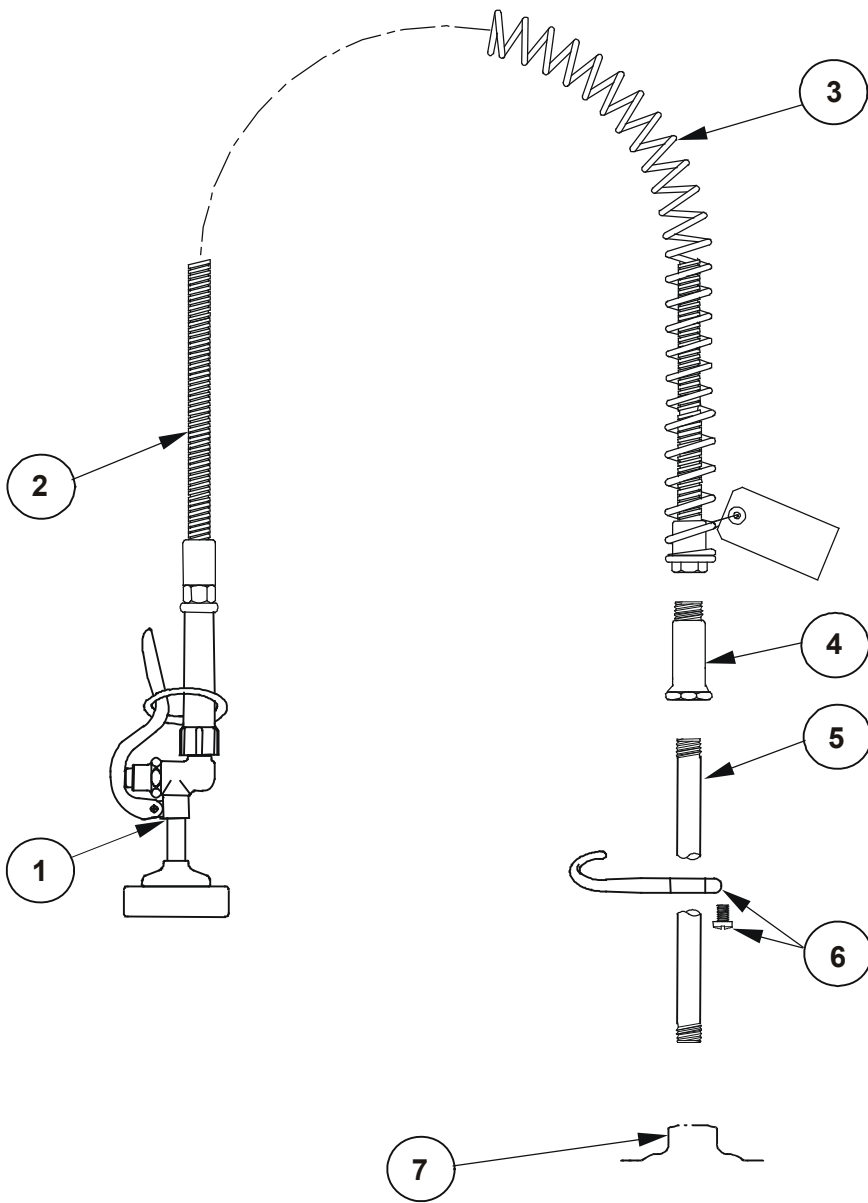
## PRE-RINSE UNIT B-2250 (Retrofit for Pre-Rinse Units)

**Deutsch:** Installations- und  
Wartungsanleitungen

**Español:** la Instalación y las  
Instrucciones de  
Mantenimiento

**Français:** les Instructions  
d'Installation et  
d'Entretien

# Exploded View



\* Some items are listed for instructional purposes and may not be sold as separate parts.

## Part Number Guide

### *Pre-Rinse Unit*

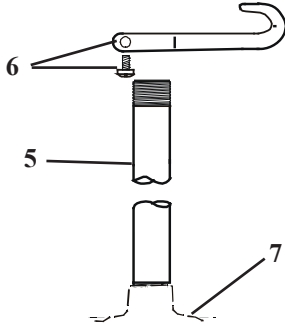
1	Assembly, Spray Valve	B-0107
2	Assembly, Flex Stainless Steel Hose	B-0044-H
3	Spring, Overhead	000888-45
4	Spring, Body	000821-40
5	Nipple, 3/8" x 24"	000372-40
6	Assembly, Finger Hook & Screw	004R
7	Assembly, Base Faucet 'B-0111'	002824-40

# General Instructions

## Installation:

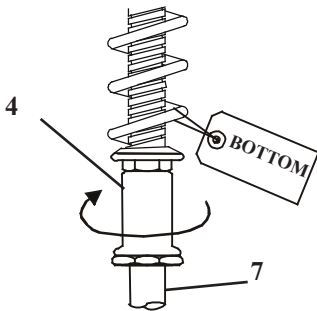
See separate instructions for installing no.7 into deck.

1. Shut off water supply and drain lines. Apply teflon tape or pipe joint compound to threads on both ends of no.5. Screw no.5 into no.7 and hand tighten.
2. Slide no.6 down no.5 (about half-way) and tighten temporarily.

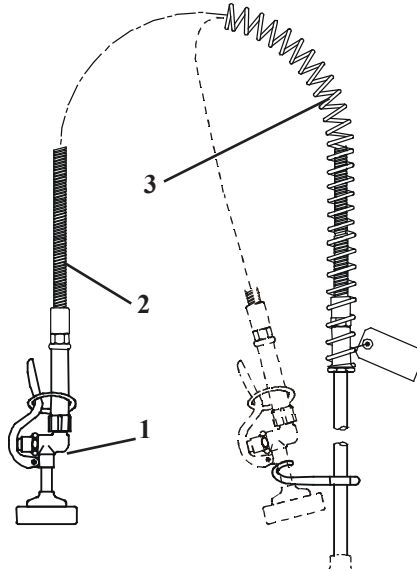


3. Screw no.4 down on no.5 and hand tighten, then tighten no.4 with a wrench, which will also tighten no.5. Make sure to align no.3 with no.2 over center of sink, directly in front of no.5 while tightening.

Note: If new no.3 is being installed on no.2, make sure it's installed in the upright position.



4. Adjust position of no.6 so that no.1 hangs loosely in it without straining no.2 or no.3.



5. Turn on water supply and check for leaks.

See back pages for similar unit installations.

**Caution: Turn off water supply at base faucet when not in use.**

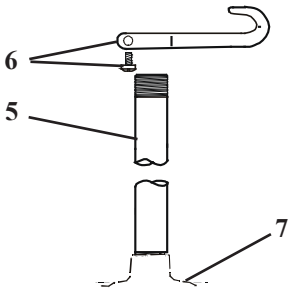
# Instrucciones Generales

## **Instalación:**

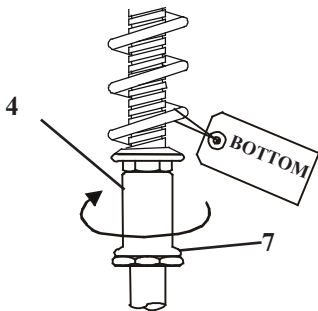
Mire las instrucciones para la instalación de la parte No.7 dentro del mostrador.

1. Cierre la fuente principal de agua y desagüe las tuberías. Aplique cintas para roscas de tuberías o compuesta de coyuntura a los dos extremos de la parte No.5. Atornille la parte No.5 dentro de la parte No.7 y aprete con una llave.

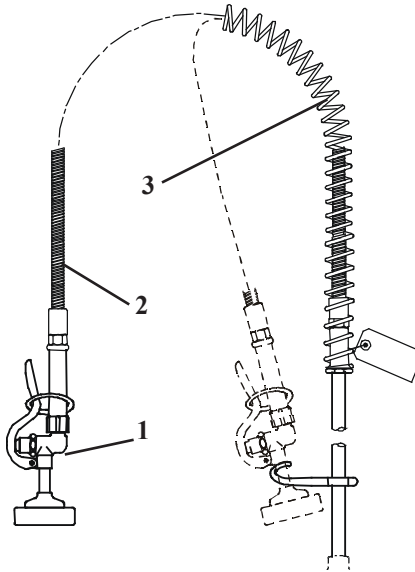
2. Deslice la parte No.6 (aproximadamente a medio trayecto) en la parte No.5 y apretarlo temporariamente.



3. Atornille la parte No.4 sobre la parte No.5 y aprétela con la mano asegurándose que alinee la parte No.3 con la parte No.2 sobre el centro del lavatorio, directamente en frente de la parte No.5. Apreté la parte No.4 con una llave; esto también apretará la parte No.5.



*Nota: Si la parte No.3 nueva se esta instalando en la parte No.2, asegurese que esté instalada al derecho.*



4. Ajuste la posición de la parte No.6 debido que la parte No.1 cuelga flojamente dentro de ella sin esforzar la parte No.2 ó No.3.

5. Abra la fuente de agua e inspeccione por filtraciones.

Vea páginas de espalda para instalaciones de unidades similares.

**Precaution: Cuando no esta en uso, cierre la canilla desde la base.**

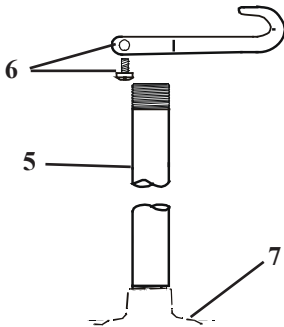
# Instructions Générales

## L'Installation De L'Élément

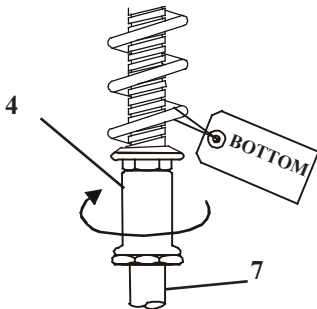
### Pre-Rinçage:

Consulte las instrucciones específicas para la instalación de N°.7 en la platina.

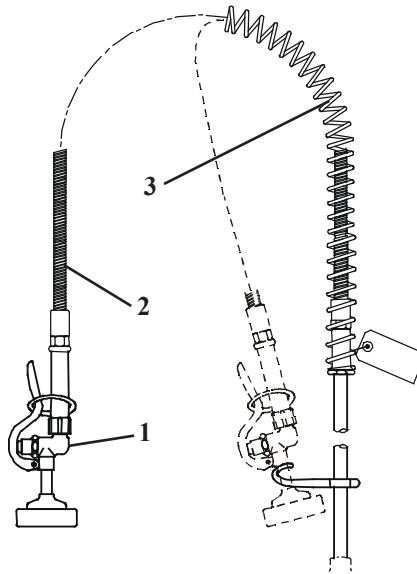
1. Fermer la réserve de l'eau et égoutter la tuyauterie. Appliquer le ruban en Téflon ou le composé pour les tuyaux a chaque extrémité de N°.5. Visser N°.5 dans N°.7 et resserrer par le main.
2. Faire glisser N°.6 à mi-chemin N°.5 et resserrer temporairement.



3. Vissez N°.4 sur N°.5 et resserrer par le main, puis resserrer N°.4 avec une clef, ce processus aller resserrer N°.5 aussi. Soyez certain d'aligner N°.3 avec N°.2 au centre de l'évriier, directement en face de N°.5 en resserrant.



*Noter: Si vous installer un N°.3 nouveau sur N°.2, soyez certain de l'installer dans une position verticale.*



4. Ajuster la position de N°.6 pour permettre N°.1 à pendre sans serrer et sans excercer une contrainte sur N°.2 ou N°.3.
5. Recommencer l'eau et vérifier s'il y a des fuites.

Voir le verso pour les installations des éléments similaires.

**Avertissement: Arrêter l'eau au robinet quand on ne l'utiliser pas.**

# Allgemeine Anleitungen

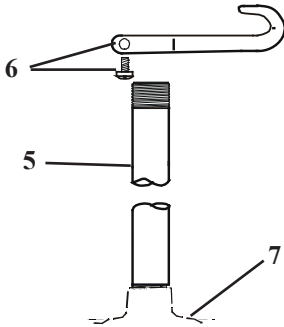
## Installation:

Nr. 7 gemäß Anleitungen auf die Abdeckplatte montieren.

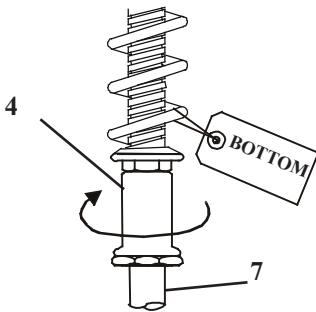
1. Wasser absperrn und Wasserleitungen entleeren.

Teflonband oder Rohrkitt an beiden Seiten des Gewindes von Nr. 5 anbringen. Nr. 5 in Nr. 7 einschrauben und mit Schraubenschlüssel festdrehen.

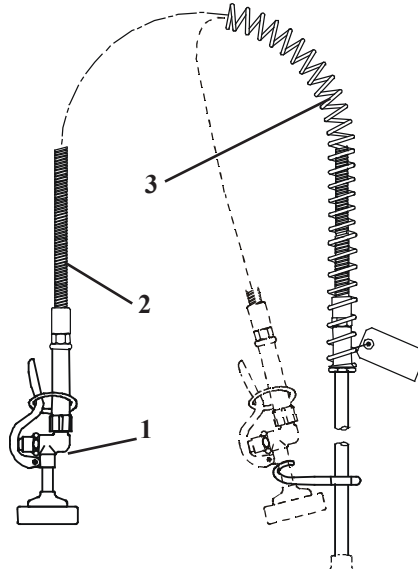
2. Nr. 6 in Nr. 5 einführen (ungefähr zur Hälfte) und vorübergehend festdrehen.



3. Nr. 4 auf Nr. 5 schrauben und mit der Hand festdrehen, dann Nr. 4 mit einem Schraubenschlüssel festdrehen, wodurch Nr. 5 auch festgedreht wird. Sicherstellen, daß beim Festdrehen Nr. 3 und Nr. 2 über der Mitte des Waschbeckens in einer Flucht direkt vor Nr. 5 ausgerichtet werden.



*Anmerkung: Falls ein neues Nr. 3 auf Nr. 2 montiert wird, ist sicherstellen, daß Nr. 3 aufrecht installiert wird.*



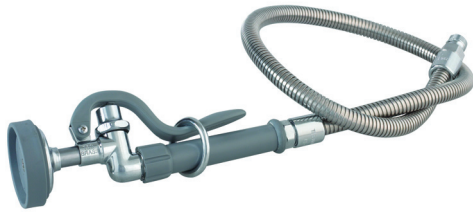
4. Position von Nr. 6 so justieren, daß Nr. 1 lose darin hängt, ohne daß Nr. 2 oder Nr. 3 stark beansprucht werden.

5. Wasser andrehen und auf Lecks prüfen.

Installationen für die Installation von ähnlichen Einheiten befinden sich im hinteren Teil dieser Broschüre.

**Vorsicht: Wasser am Haupthahn abdrehen, wenn die Armatur nicht benutzt wird.**

**RELATED T&S BRASS PRODUCT LINE**



**B-0100  
PRE-RINSE UNIT  
W/ FLEXIBLE  
S-STEEL HOSE**



**B-10K  
PARTS KIT**



**B-0106  
PRE-RINSE UNIT  
W/ BRUSH**

---

**T&S BRASS AND BRONZE WORKS, INC.**

A firm commitment to application-engineered plumbing products



2 Saddleback Cove, P.O. Box 1088,  
Travelers Rest, SC 29690

Phone: (864) 834-4102

Fax: (864) 834-3518

E-mail: [tsbrass@tsbrass.com](mailto:tsbrass@tsbrass.com)

T & S Brass-Europe  
'De Veenhoeve'

Oude Nieuwveenseweg 84

2441 CW Nieuwveen

The Netherlands