



**T&S BRASS AND BRONZE WORKS, INC.**

2 Saddleback Cove / P.O. Box 1088  
 Travelers Rest, SC 29690



REG. #A2601  
 ISO #9001

Model No.

**B-0107-C**

Item No.

Travelers Rest, SC: 800-476-4103 Simi Valley, CA: 800-423-0150 Fax: 864-834-3518 [www.tsbrass.com](http://www.tsbrass.com)

This Space for Architect/Engineer Approval

Job Name \_\_\_\_\_ Date \_\_\_\_\_

Model Specified \_\_\_\_\_ Quantity \_\_\_\_\_

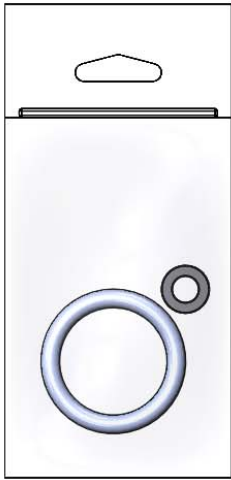
Customer/Wholesaler \_\_\_\_\_

Contractor \_\_\_\_\_

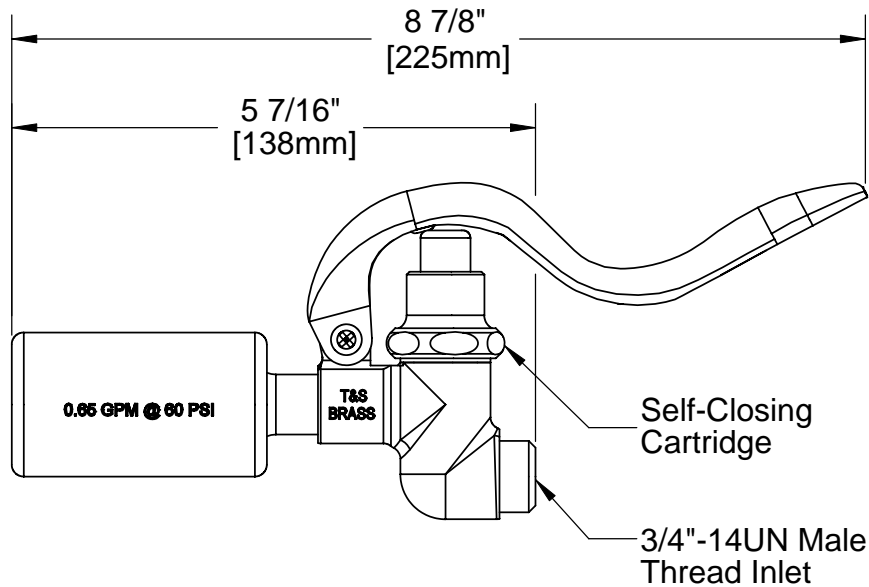
Architect/Engineer \_\_\_\_\_



**EPAct 2005 Compliant**



Furnished w/ Hose Washer  
 & Hold Down Ring



Product Specifications:  
**Self-Closing Pre-Rinse Spray Valve w/ 0.65 GPM Spray Nozzle**

Drawn <b>JRM</b>	Checked <b>DMH</b>	Approved <b>JHB</b>
Scale: <b>NTS</b>		Date: <b>08/27/09</b>



**T&S BRASS AND BRONZE WORKS, INC.**  
 2 Saddleback Cove / P.O. Box 1088  
 Travelers Rest, SC 29690



REG. #A2601  
 ISO #9001

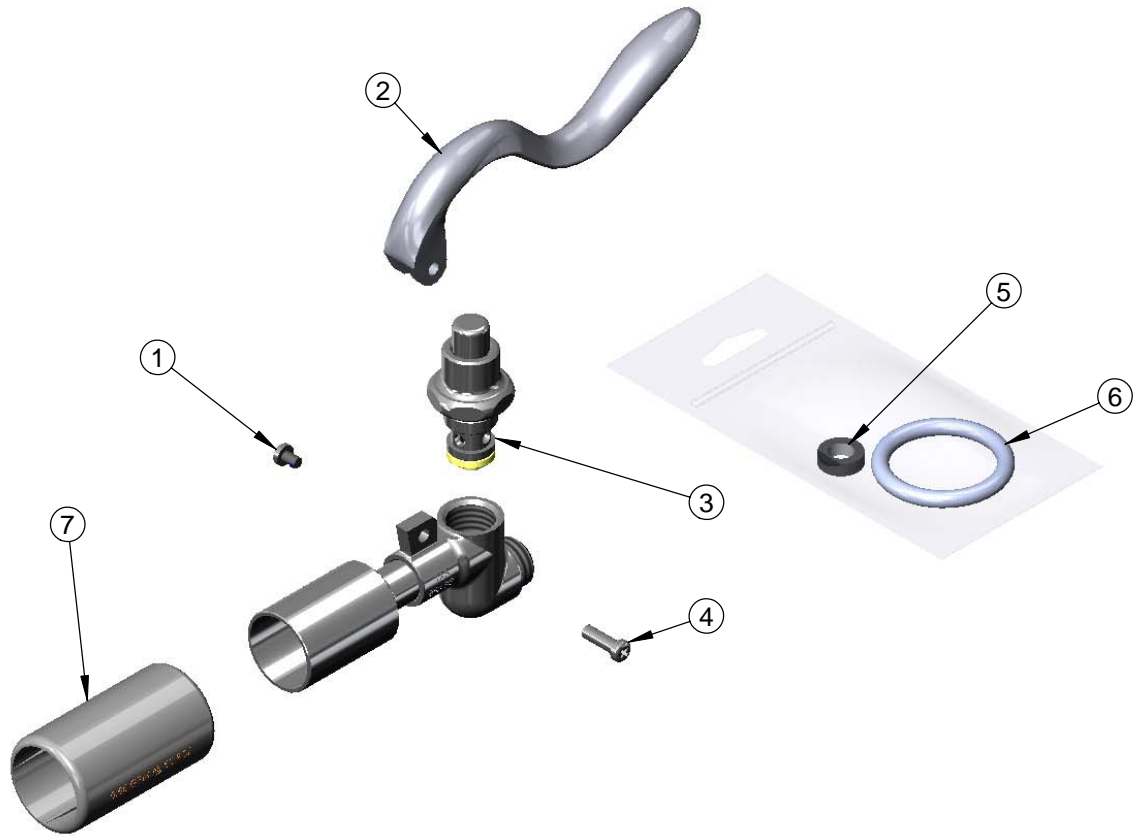
Model No.

**B-0107-C**

Item No.

Travelers Rest, SC: 800-476-4103 Simi Valley, CA: 800-423-0150 Fax: 864-834-3518 [www.tsbrass.com](http://www.tsbrass.com)

ITEM NO.	SALES NO.	DESCRIPTION
1	003199-45	Handle Screw, Spray Valve
2	001120-45	Spray Valve Handle
3	002856-40	Bonnet Asm, Spray Valve
4	003198-45	Handle Nut, Spray Valve
5	010476-45	#27 Washer
6	000907-45	Ring, Spray Valve Hold Down
7	002659-45	Shield, Low Flow 0.65 GPM



Product Specifications:

Self-Closing Pre-Rinse Spray Valve w/ 0.65 GPM Spray Nozzle

Drawn <b>JRM</b>	Checked <b>DMH</b>	Approved <b>JHB</b>
Scale: <b>NTS</b>		Date: <b>08/27/09</b>

Sheet: 2 of 2