



**T&S BRASS AND BRONZE WORKS, INC.**

2 Saddleback Cove / P.O. Box 1088  
 Travelers Rest, SC 29690

Model No.

**B-0665-BSTR**

Item No.

Travelers Rest, SC: 800-476-4103 • Simi Valley, CA: 800-423-0150 • Fax: 864-834-3518 • [www.tsbrass.com](http://www.tsbrass.com)



**ADA Compliant**

This Space for Architect/Engineer Approval

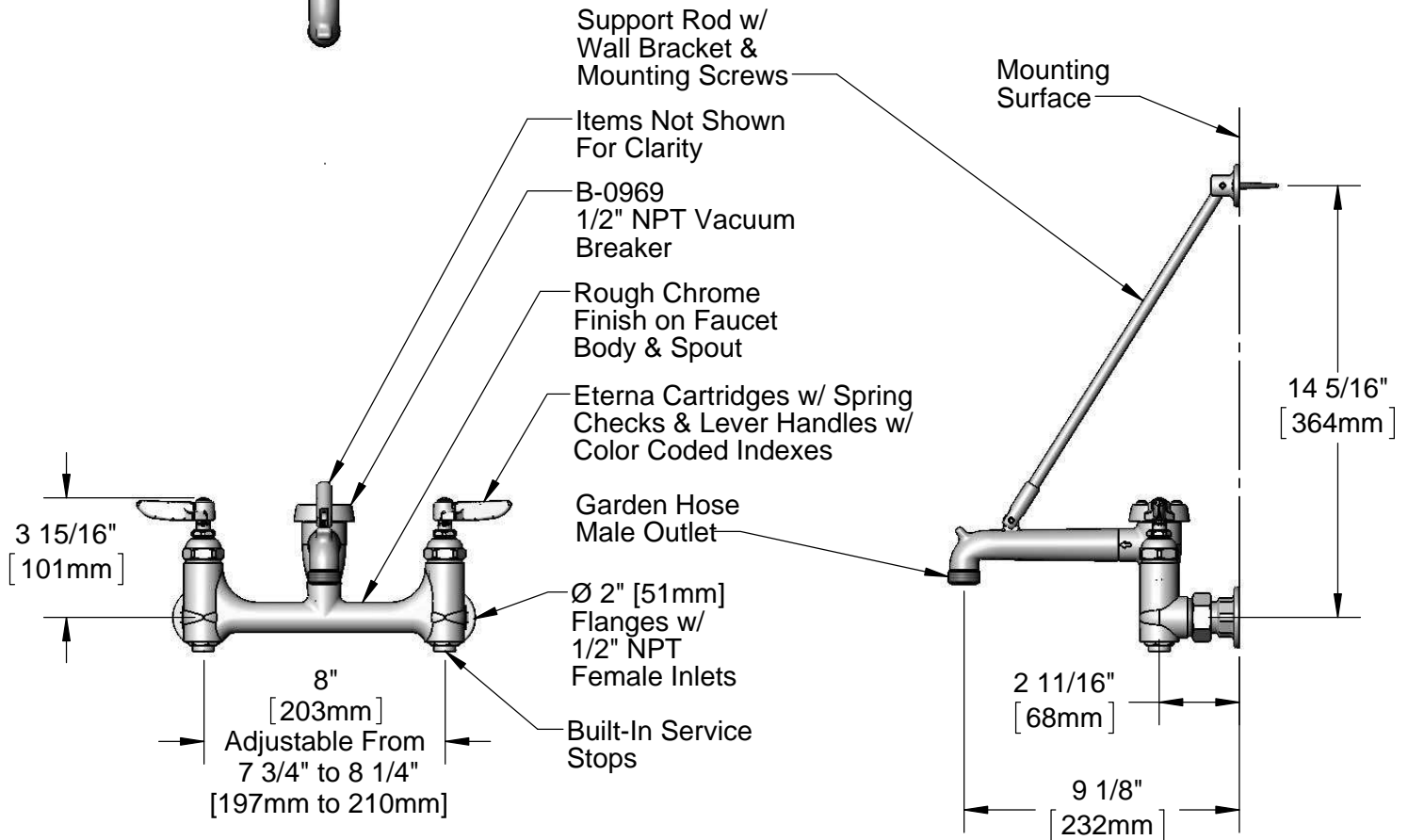
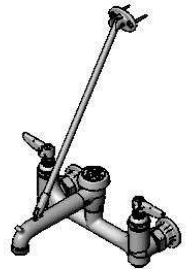
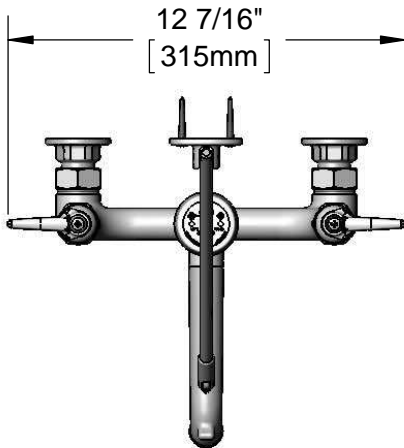
Job Name \_\_\_\_\_ Date \_\_\_\_\_

Model Specified \_\_\_\_\_ Quantity \_\_\_\_\_

Customer/Wholesaler \_\_\_\_\_

Contractor \_\_\_\_\_

Architect/Engineer \_\_\_\_\_



**Product Specifications:**  
 8" Wall Mount Service Sink, Eterna Cartridges w/ Spring Checks, Lever Handles, Upper Support Rod, Garden Hose Male Outlet, Built-In Stops, Rough Chrome Finish, 1/2" NPT Vacuum Breaker & 1/2" NPT Female Inlets

**Product Compliance:**  
 ASME A112.18.1 / CSA B125.1  
 NSF 61 Exempt (Non-Potable)  
 ANSI A117.1 (ADA)  
 ASSE 1001 (VB)



**T&S BRASS AND BRONZE WORKS, INC.**

2 Saddleback Cove / P.O. Box 1088  
 Travelers Rest, SC 29690

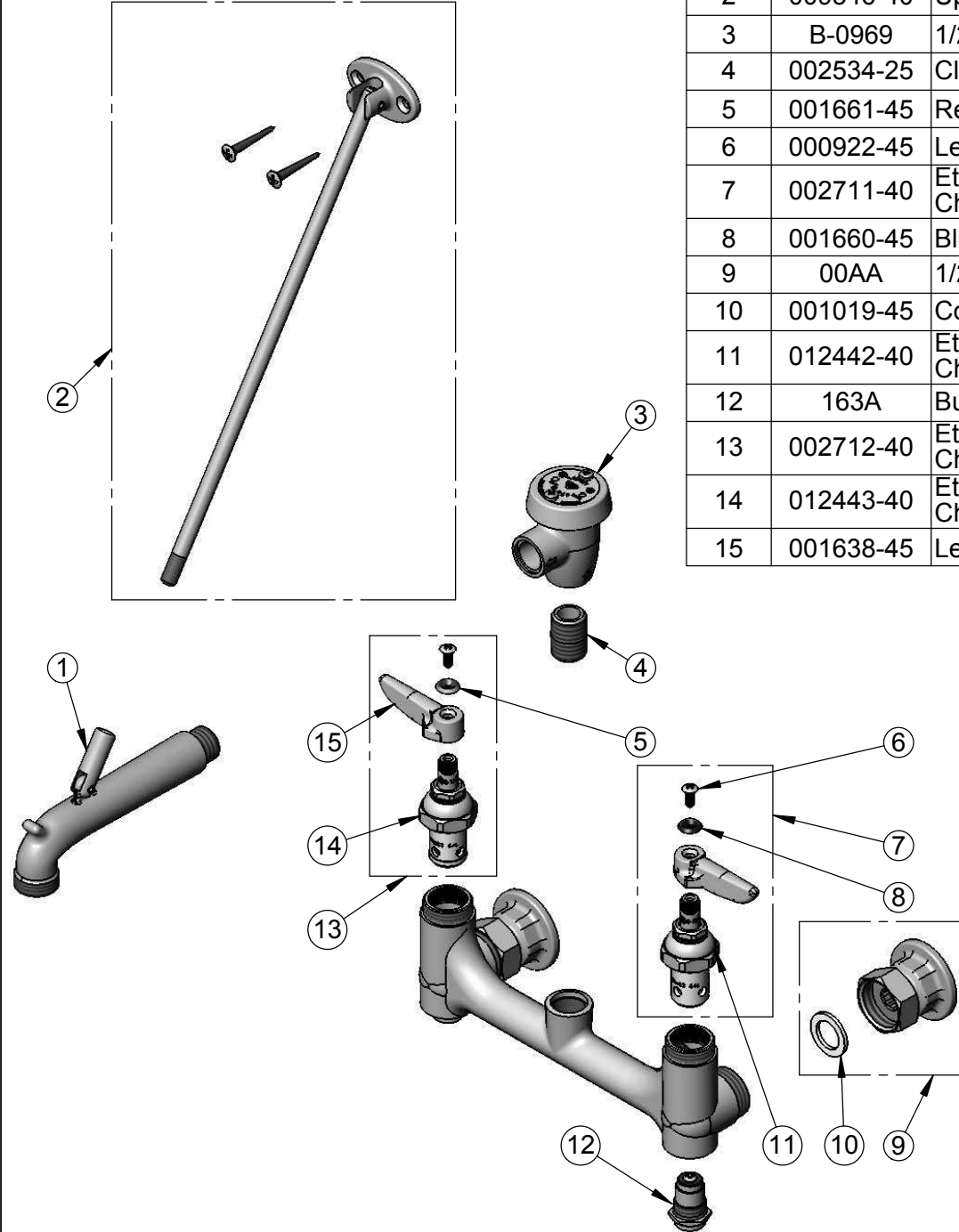
Model No.

**B-0665-BSTR**

Item No.

Travelers Rest, SC: 800-476-4103 • Simi Valley, CA: 800-423-0150 • Fax: 864-834-3518 • [www.tsbrass.com](http://www.tsbrass.com)

ITEM NO.	SALES NO.	DESCRIPTION
1	009545-25	Spout w/ Male GH Outlet & Upper Clevis - Rough Chrome
2	009546-40	Upper Support Rod
3	B-0969	1/2" NPT Vacuum Breaker
4	002534-25	Close Nipple, 1/2" NPT
5	001661-45	Red Index-HW
6	000922-45	Lever Handle Screw
7	002711-40	Eterna Cartridge, LTC w/ Spring Check, Handle, Index & Screw
8	001660-45	Blue Index-CW
9	00AA	1/2" NPT Female Eccentric Flange
10	001019-45	Coupling Nut Washer
11	012442-40	Eterna Cartridge, LTC w/ Spring Check
12	163A	Built-in Service Stop
13	002712-40	Eterna Cartridge, RTC w/ Spring Check, Handle, Index & Screw
14	012443-40	Eterna Cartridge, RTC w/ Spring Check
15	001638-45	Lever Handle



**Product Specifications:**  
 8" Wall Mount Service Sink, Eterna Cartridges w/ Spring Checks, Lever Handles, Upper Support Rod, Garden Hose Male Outlet, Built-In Stops, Rough Chrome Finish, 1/2" NPT Vacuum Breaker & 1/2" NPT Female Inlets

**Product Compliance:**  
 ASME A112.18.1 / CSA B125.1  
 NSF 61 Exempt (Non-Potable)  
 ANSI A117.1 (ADA)  
 ASSE 1001 (VB)