



T&S BRASS AND BRONZE WORKS, INC.
 2 Saddleback Cove / P.O. Box 1088
 Travelers Rest, SC 29690



REG. #A2601
 ISO #9001

Model No.
B-TEE-RGD

Item No.

Travelers Rest, SC: 800-476-4103 Simi Valley, CA: 800-423-0150 Fax: 864-834-3518 www.tsbrass.com

This Space for Architect/Engineer Approval

Job Name _____ Date _____

Model Specified _____ Quantity _____

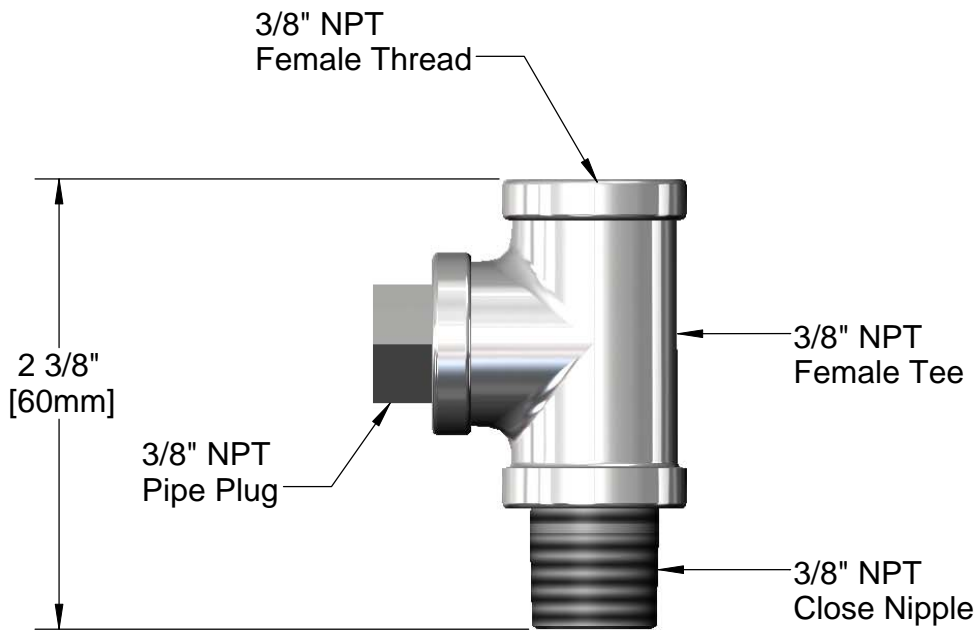
Customer/Wholesaler _____

Contractor _____

Architect/Engineer _____



Note: 3/8" Hex L-Key Included



Note: 3/8" Hex L-Key Required to Remove Existing Swivel Piece (if Present on Pre-Rinse Unit) from EasyInstall Riser.

Product Specifications:
Rigid Tee Assembly (Chrome Plated)

Drawn DHL	Checked KJG	Approved JHB
Scale: 1:1		Date: 4/06/11