



**T&S BRASS AND BRONZE WORKS, INC.**

2 Saddleback Cove / P.O. Box 1088  
 Travelers Rest, SC 29690

Model No.

**S-0107-Y**

Item No.

Travelers Rest, SC: 800-476-4103 • Simi Valley, CA: 800-423-0150 • Fax: 864-834-3518 • [www.tsbrass.com](http://www.tsbrass.com)

**EVERSTEEL**

This Space for Architect/Engineer Approval

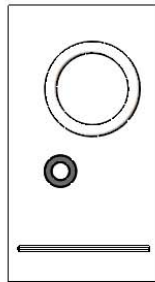
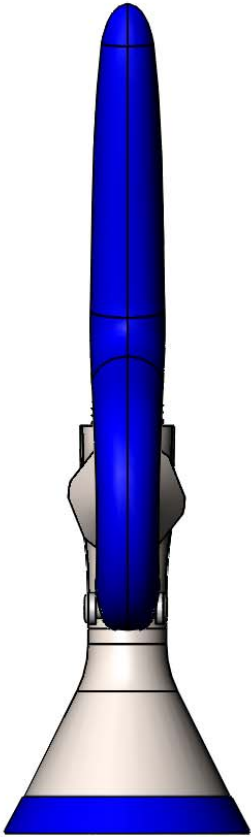
Job Name \_\_\_\_\_ Date \_\_\_\_\_

Model Specified \_\_\_\_\_ Quantity \_\_\_\_\_

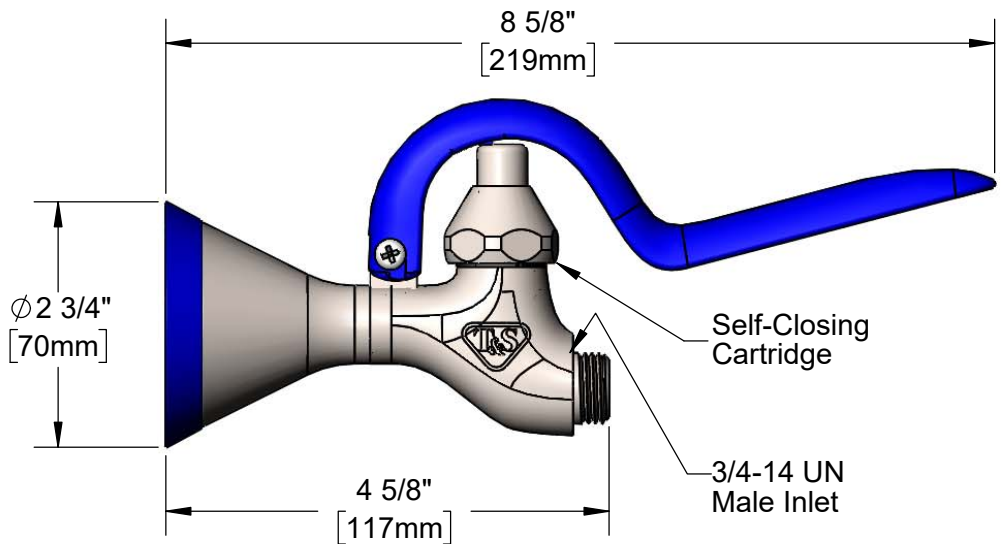
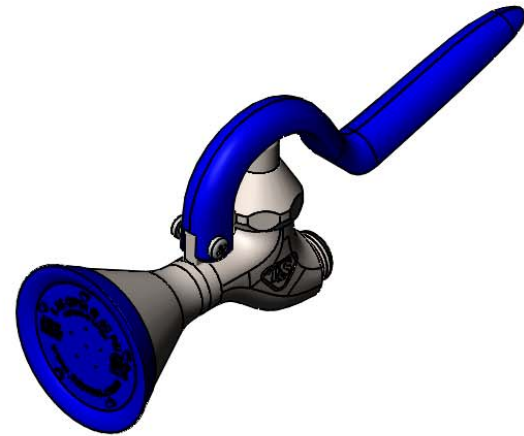
Customer/Wholesaler \_\_\_\_\_

Contractor \_\_\_\_\_

Architect/Engineer \_\_\_\_\_



Hose Washer &  
 Stainless Steel  
 Hold Down Ring  
 (Included)



Flow Rate: 1.15 GPM [4.35 Lpm] @ 60 psi [4.14 bar]  
 Spray Force: 7.5 Ozf [212 Gramf] @ 60 psi [4.14 bar]

Product Specifications:  
 Pre-Rinse Self-Closing Stainless Steel Spray Valve w/ Integrated Spray Face  
 & Rubber Bumper and 1.15 GPM Flow Control Spray Face (Blue)

Product Compliance:  
 ASME A112.18.1 / CSA B125.1  
 NSF 61 - Section 9  
 NSF 372 (Low Lead Content)  
 2019 DOE PRSV - Class II



**T&S BRASS AND BRONZE WORKS, INC.**

2 Saddleback Cove / P.O. Box 1088  
 Travelers Rest, SC 29690

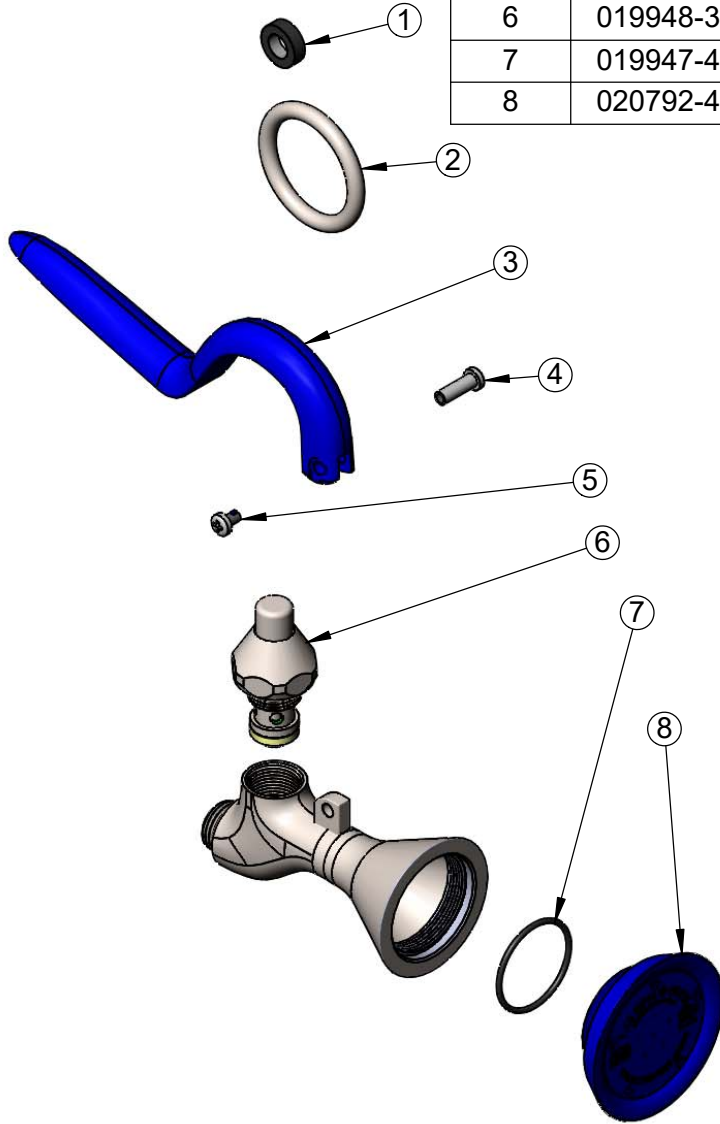
Model No.

**S-0107-Y**

Item No.

Travelers Rest, SC: 800-476-4103 • Simi Valley, CA: 800-423-0150 • Fax: 864-834-3518 • [www.tsbrass.com](http://www.tsbrass.com)

ITEM NO.	SALES NO.	DESCRIPTION
1	010476-45	#27 Washer
2	S000907-30	Spray Valve Hold Down Ring
3	020793-45	New Style Squeeze Handle - Blue
4	003198-45	Spray Valve Handle Nut
5	003199-45	Spray Valve Handle Screw
6	019948-30	Spray Valve SS Bonnet
7	019947-45	Spray Face O-Ring 2-027
8	020792-45	New Style Spray Face



Product Specifications:  
 Pre-Rinse Self-Closing Stainless Steel Spray Valve w/ Integrated Spray Face  
 & Rubber Bumper and 1.15 GPM Flow Control Spray Face (Blue)

Product Compliance:  
 ASME A112.18.1 / CSA B125.1  
 NSF 61 - Section 9  
 NSF 372 (Low Lead Content)  
 2019 DOE PRSV - Class II