

WARING® COMMERCIAL TOASTERS



Features

- Uniformly toasts regular bread, bagels, Texas toast, frozen waffles, and many other foods
- Full brushed stainless steel housing
- Easily replaceable industrial heating plates
- Standard 4-slice, combination bread and bagel, dedicated bagel and switchable toasters
- Electronic browning controls and carriage control levers
- Dishwasher-safe crumb tray
- Limited One Year Warranty

Heavy-Duty Commercial Toasters WCT800 Series



**Switchable
Bread/Bagel
Toasters**



Intertek



Heavy-Duty Commercial Toasters

WCT800 Series



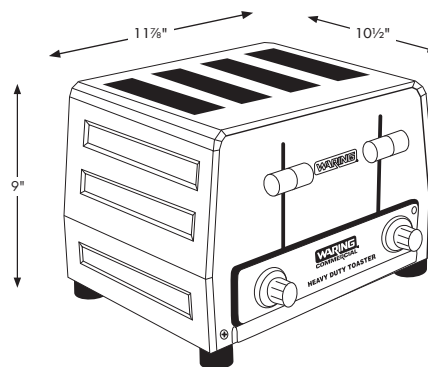
Specifications

Item	Electrical	Listings	Watts	Amps	Plug	Output (Slices/Hour)	Slot Width
WCT800RC	120 Volt, 50/60 Hz	ETL, NSF	1800	15	NEMA 5-15P	300	(4) 1 1/8"
WCT800RCND	120 Volt, 60 Hz	cETLus, NSF	1440	12	NEMA 5-15P	288	(4) 1 1/8"
WCT800	120 Volt, 50/60 Hz	cETLus, NSF	2200	18.33	NEMA 5-20P	300	(4) 1 1/8"
WCT805B	208 Volt, 50/60 Hz	cETLus, NSF	2700	12.98	NEMA 6-20P	380	(4) 1 1/8"
WCT805	240 Volt, 50/60 Hz	cETLus, NSF	2700	11.25	NEMA 6-15P	380	(4) 1 1/8"
WCT810	120 Volt, 50/60 Hz	cETLus, NSF	2025	16.88	NEMA 5-20P	380	(2) 1 1/8", (2) 1 1/2"
WCT815B	208 Volt, 50/60 Hz	cETLus, NSF	2025	9.74	NEMA 6-15P	380	(2) 1 1/8", (2) 1 1/2"
WCT815	240 Volt, 50/60 Hz	cETLus, NSF	2025	8.44	NEMA 6-15P	380	(2) 1 1/8", (2) 1 1/2"
WCT820	120 Volt, 50/60 Hz	cETLus, NSF	1500	12.5	NEMA 5-15P	380	(4) 1 1/2"
WCT825	240 Volt, 50/60 Hz	cETL, NSF	1500	6.25	NEMA 6-15P	380	(4) 1 1/2"
WCT825B	208 Volt, 50/60 Hz	cETL, NSF	1500	7.21	NEMA 6-15P	380	(4) 1 1/2"
WCT850RC	120 Volt, 50/60 Hz	ETL, NSF	1800	15	NEMA 5-15P	300	(4) 1 1/2"
WCT850RCND	120 Volt, 60 Hz	cETLus, NSF	1440	12	NEMA 5-15P	288	(4) 1 1/2"
WCT850	208 Volt, 50/60Hz	cETLus, NSF	2800	13.5	NEMA 6-20P	360	(4) 1 1/2"
WCT855	240 Volt, 50/60Hz	cETLus, NSF	2700	11.5	NEMA 6-20P	380	(4) 1 1/2"

* All models listed have a Limited 1 Year Warranty.

Ordering Information

Description	Catalog #	Std Pkg.	Ship Wt. (Lbs.)	Cubic Feet	UPC Code
Heavy-Duty 120V Standard Toaster	WCT800RC	1	22 lbs.	1.6	040072002915
Heavy-Duty 120V Standard Toaster	WCT800RCND	1	22 lbs.	1.6	040072028533
Heavy-Duty 120V Standard Toaster	WCT800	1	22 lbs.	1.6	040072001451
Heavy-Duty 208V Standard Toaster	WCT805B	1	22 lbs.	1.6	040072003196
Heavy-Duty 240V Standard Toaster	WCT805	1	22 lbs.	1.6	040072001468
Heavy-Duty 120V Combination Toaster	WCT810	1	22 lbs.	1.6	040072001475
Heavy-Duty 208V Combination Toaster	WCT815B	1	22 lbs.	1.6	040072003219
Heavy-Duty 240V Combination Toaster	WCT815	1	22 lbs.	1.6	040072001482
Heavy-Duty 120V Bagel Toaster	WCT820	1	22 lbs.	1.6	040072010019
Heavy-Duty 240V Bagel Toaster	WCT825	1	22 lbs.	1.6	040072010972
Heavy-Duty 208V Bagel Toaster	WCT825B	1	22 lbs.	1.6	040072010989
Heavy-Duty 120V Switchable Bread/Bagel Toaster	WCT850RC	1	22 lbs.	1.6	040072031243
Heavy-Duty 208V Switchable Bread/Bagel Toaster	WCT850RCND	1	22 lbs.	1.6	040072031236
Heavy-Duty 208V Switchable Bread/Bagel Toaster	WCT850	1	22 lbs.	1.6	040072014314
Heavy-Duty 240V Switchable Bread/Bagel Toaster	WCT855	1	22 lbs.	1.6	040072031229



*Dimensions are the same for all models.
(9" H x 11 1/8" W x 10 1/2" D)

©2014 Waring Commercial
Waring Commercial • 314 Ella T. Grasso Ave. • Torrington, CT 06790
Tel. (800) 492-7464 • Fax (860) 496-9008
www.waringcommercialproducts.com

14WC004007 PG-21496

@WaringProducts1

